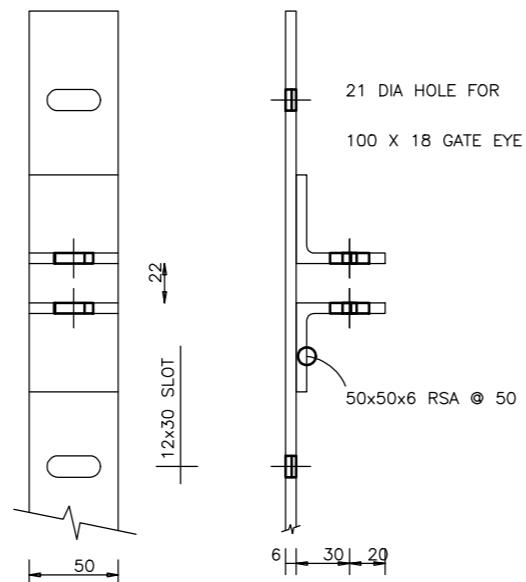
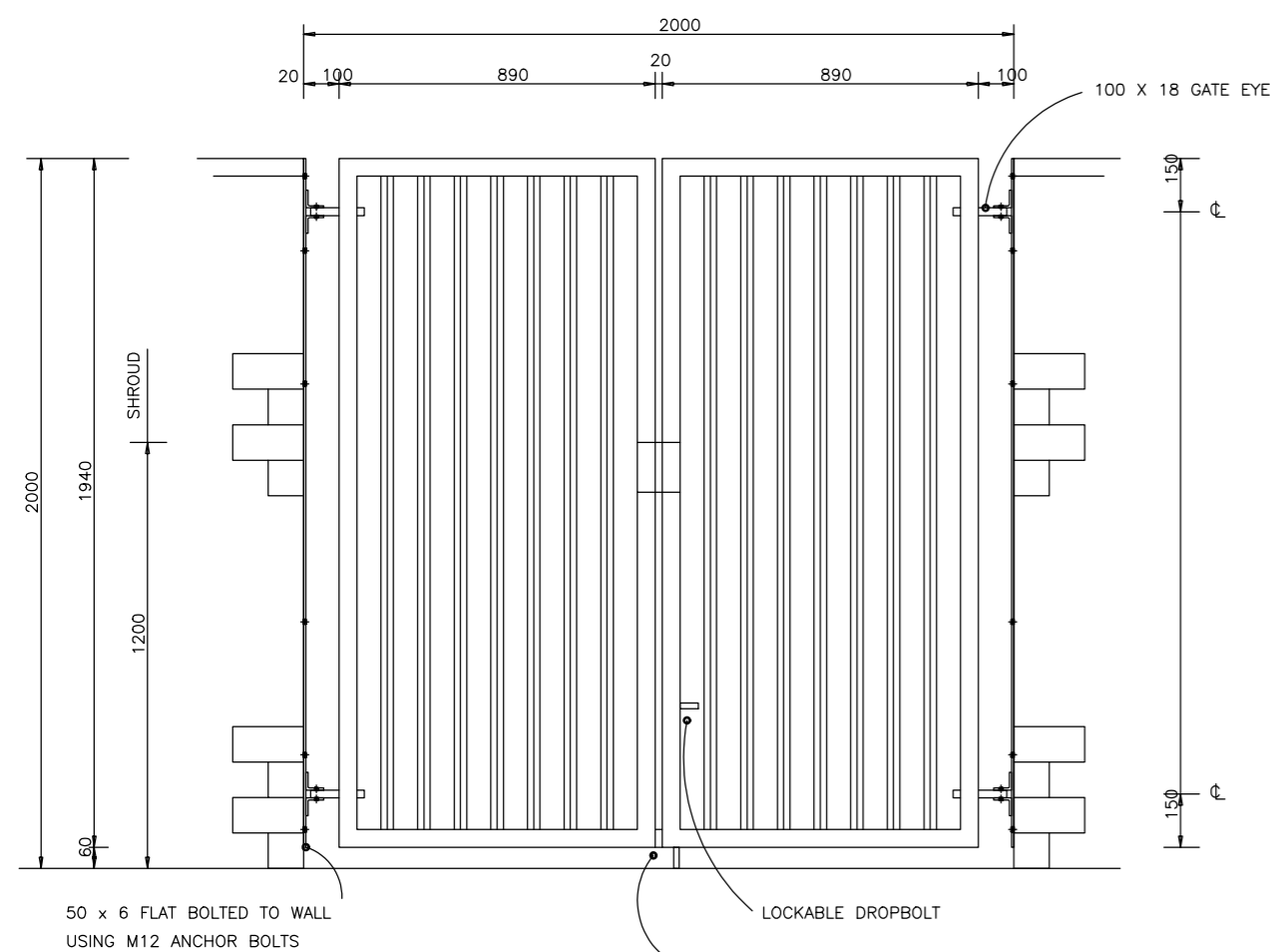
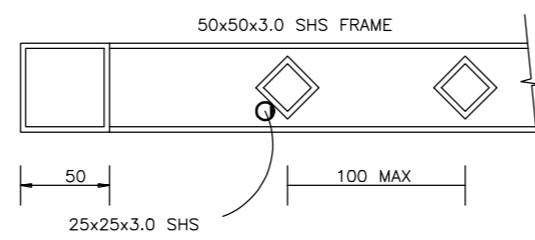


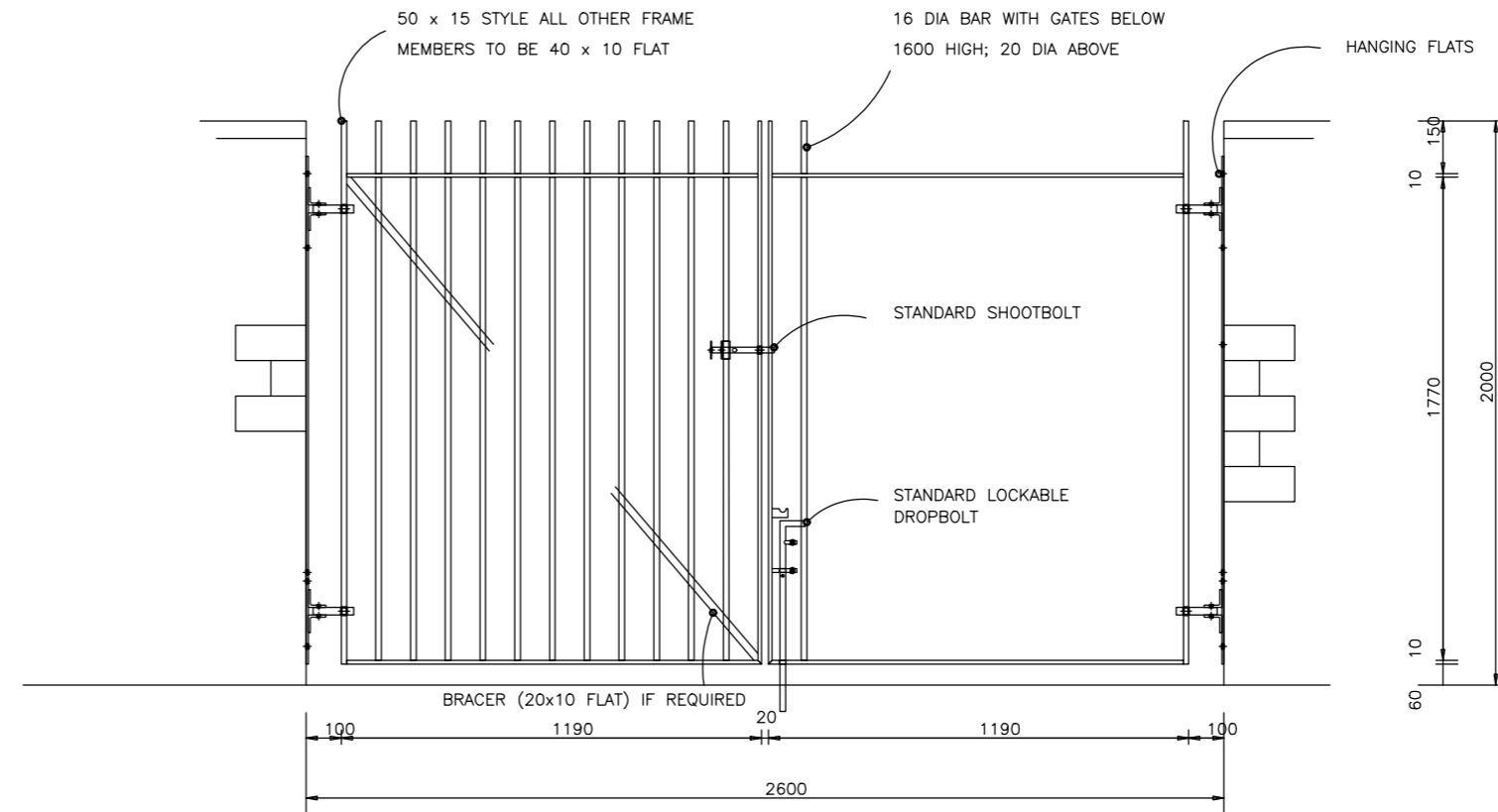
DOUBLE ANTI VANDAL GATE DETAILS



GATE HANGING FLAT DETAIL

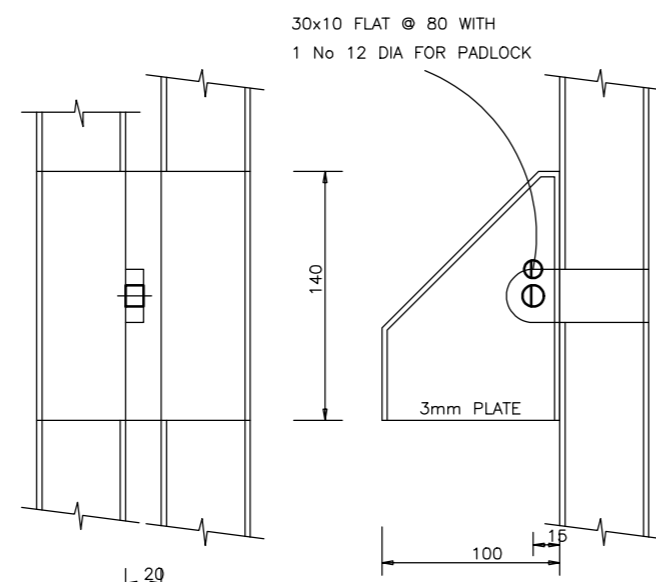
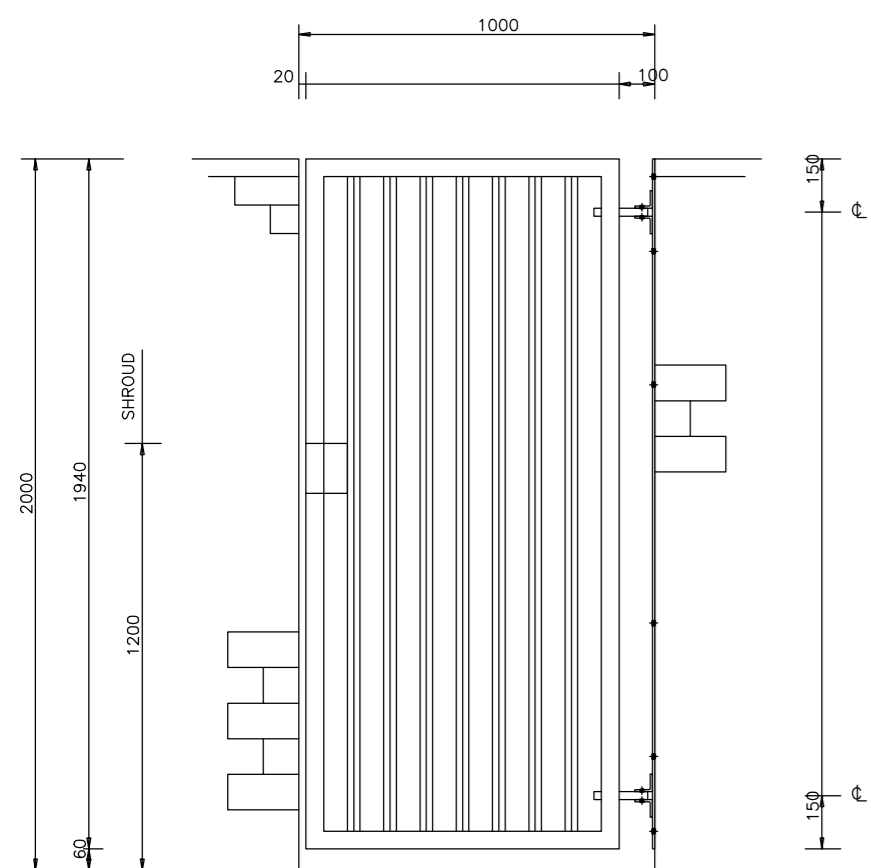


GATE COMPONENT DETAILS

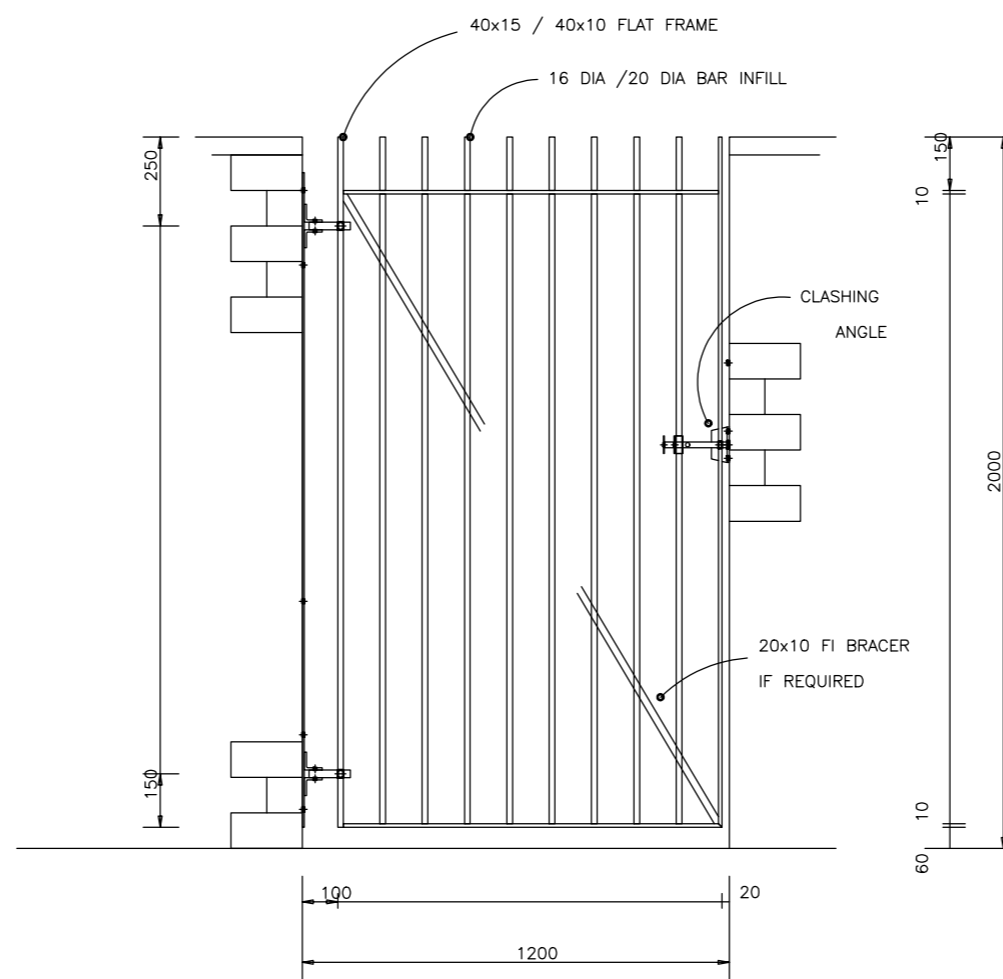
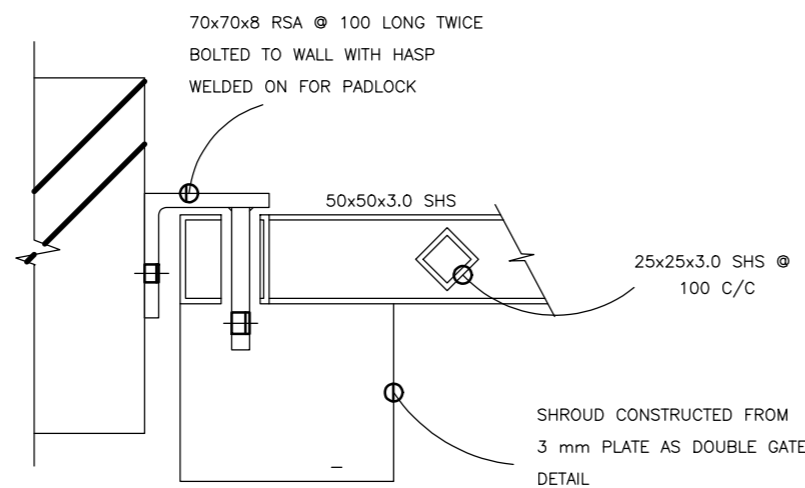


NON STANDARD MODULAR DOUBLE GATES DETAILS

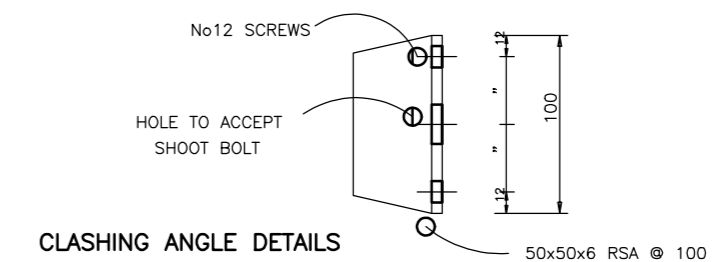
SINGLE ANTI VANDAL GATE DETAILS



DOUBLE GATE SHROUD DETAILS



- 1 ALL COMPONENTS MILD STEEL GRADE 4.3
- 2 ALL COMPONENTS HOT DIPPED GALVANISED AFTER FABRICATION TO BS 729
- 3 ALL CONNECTION BOLTS GRADE 8.8 GALVANISED OR STAINLESS STEEL
- 4 IN SOME ELECTRICITY NORTH WEST AREAS GATES TO HAVE 20x10 FLAT BRACER
- 5 HANGING STRAPS TO BE SECURED WITH RESIN INTO THE BRICK / BLOCKWORK



CLASHING ANGLE DETAILS

THIS DRAWING AND ANY INFORMATION OR DESCRIPTIVE MATTER SET OUT HEREON ARE THE CONFIDENTIAL AND COPYRIGHT PROPERTY OF ELECTRICITY NORTH WEST LIMITED AND MUST NOT BE DISCLOSED, LOANED, COPIED OR USED FOR ANY PURPOSE WITHOUT WRITTEN PERMISSION.

NOT TO BE SCALED. UNLESS OTHERWISE STATED DIMENSIONS ARE IN MILLIMETRES.

REV	AMENDMENTS	DRAWN	APP.	DATE

		ELECTRICITY NORTH WEST FREDERICK ROAD SALFORD M6 6QH		
CIVIL DISTRIBUTION SUBSTATION				
ANTI-VANDAL AND NON-STANDARD MODULAR SUBSTATION GATE DETAILS				
SCALE	NOT TO SCALE	SITE NAME	-	
DRAWN	TR	PROJECT	CIVIL DISTRIBUTION SUBSTATION STANDARDS	
APPROVED	JB	P.F.R. NO.	-	DWG STATUS RELEASED
DATE	JUNE 2020	DRAWING NUMBER		REVISION
SHEET SIZE		900350-033		1
OLD DWG NO	E-S352-A2-041-06			