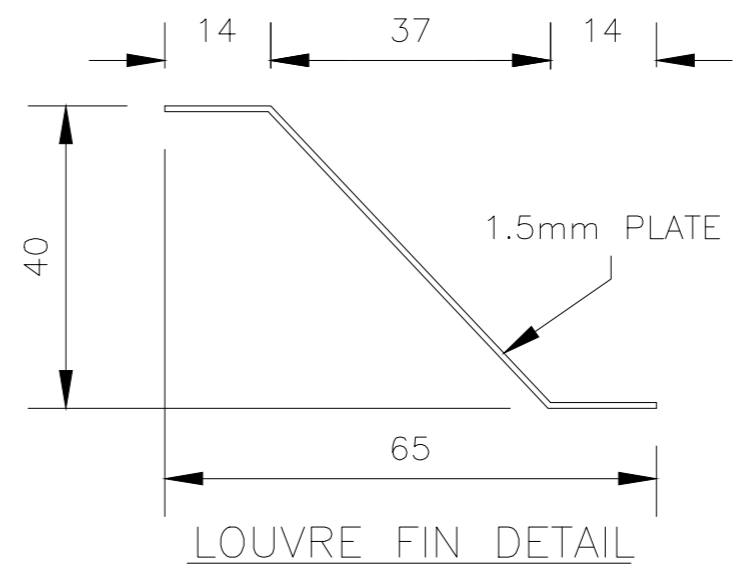


DETAIL ONLY IF NEW OPENING IS FORMED

IN SITU CONCRETE LINTEL ACROSS THE INNER LEAF OF BRICK OR BLOCKWORK, WITH 150 MIN. END BEARING ON EITHER SIDE OF THE OPENING. PREFORMED STEEL LINTEL SUFFICIENT TO SPAN THE OPENING LEFT FOR THE PROVISION OF A STANDARD WALL.

VERMIN MESH PANEL SECURED TO INNER LEAF OF THE BUILDING, EITHER SEPARATE FROM THE OUTER LOUVRE OR HELD BY OUTER LOUVRE WITH GALVANISED THREADED BAR.



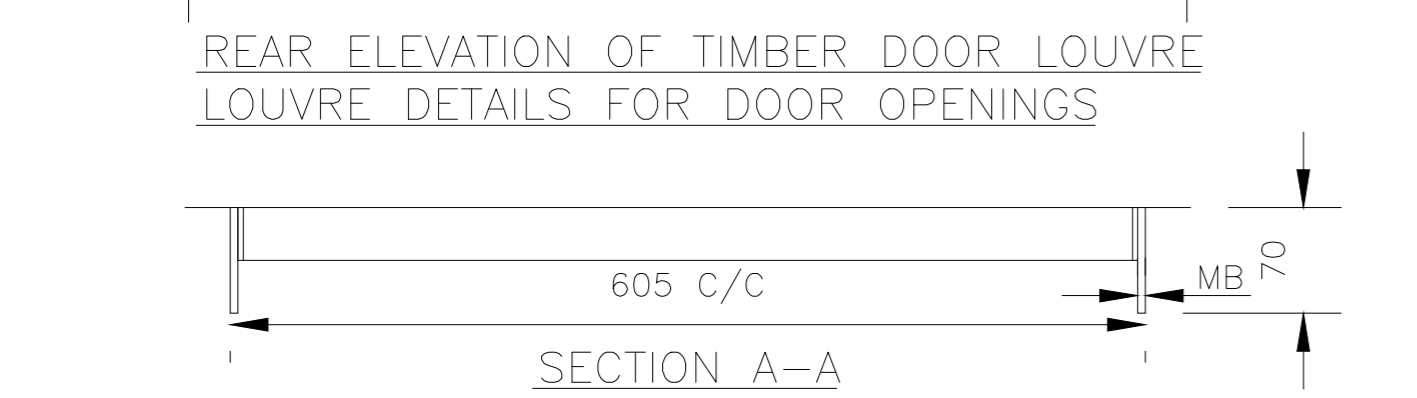
NOTES

THIS DRAWING SHOULD BE READ IN CONJUNCTION WITH ELECTRICITY NORTH WEST ES 352 AND ALL ASSOCIATED WORKS MUST COMPLY WITH THIS INFORMATION AND DETAIL IN FULL.

AFTER ASSEMBLY OF VENTILATION UNIT—MINIMUM INGRESS PROTECTION RATING 4:4. ALL VENTILATION AREAS MUST COMPLY WITH BS EN 60529. WITH A MINIMUM VENTILATION AREA OF 0.75m². DESIGNS BY APPROVAL OF ELECTRICITY NORTH WEST.

INSTALLATION:

INSERT VENT FROM OUTSIDE CENTRALISE USING SHIMS. TO BE SECURED USING M12 ANCHORS SILICONE SEALANT SURROUND OUTSIDE



LOUVRE DETAILS FOR BRICK OPENINGS

		FREDERICK ROAD, SALFORD M6 6QH TEL 0161 6041370		CIVIL DISTRIBUTION SUBSTATION CONSTRUCTION DETAILS FOR STANDARD DOOR WALL LOUVRE	
DRAWN ASR APPROVED WD OLD DWG NO -	SCALE NOT TO SCALE DATE NOVEMBER 18 SHEET SIZE A2	SITE NAME P.F.R. NO. - DWG NO 900350-031	DWG STATUS APPROVAL	REV 3	