

**GENERAL NOTES**

DO NOT SCALE THIS DRAWING; TAKE FIGURED DIMENSIONS ONLY

DETAIL SPECIFICATION

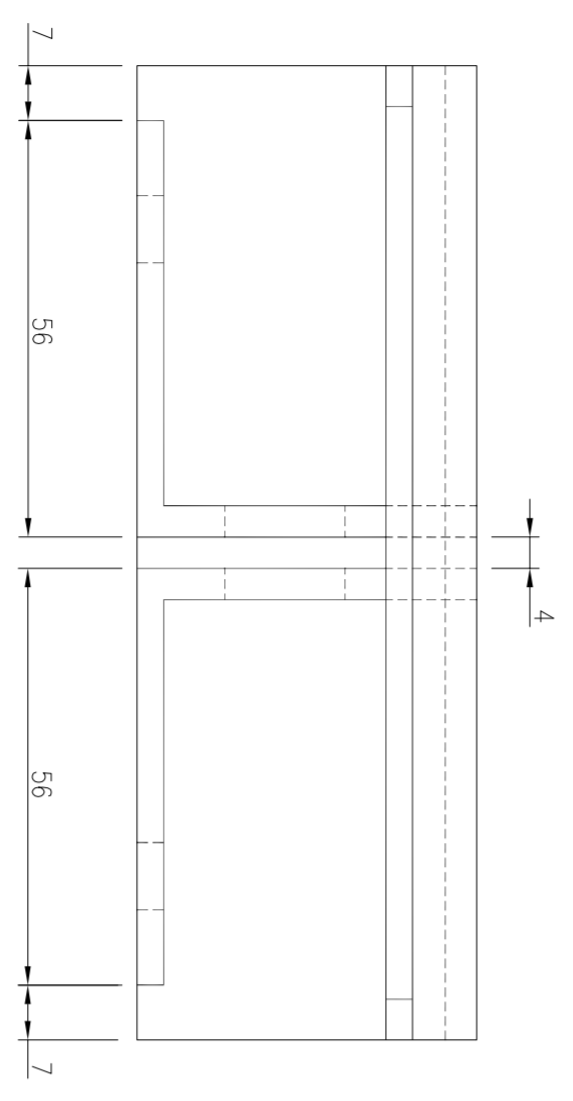
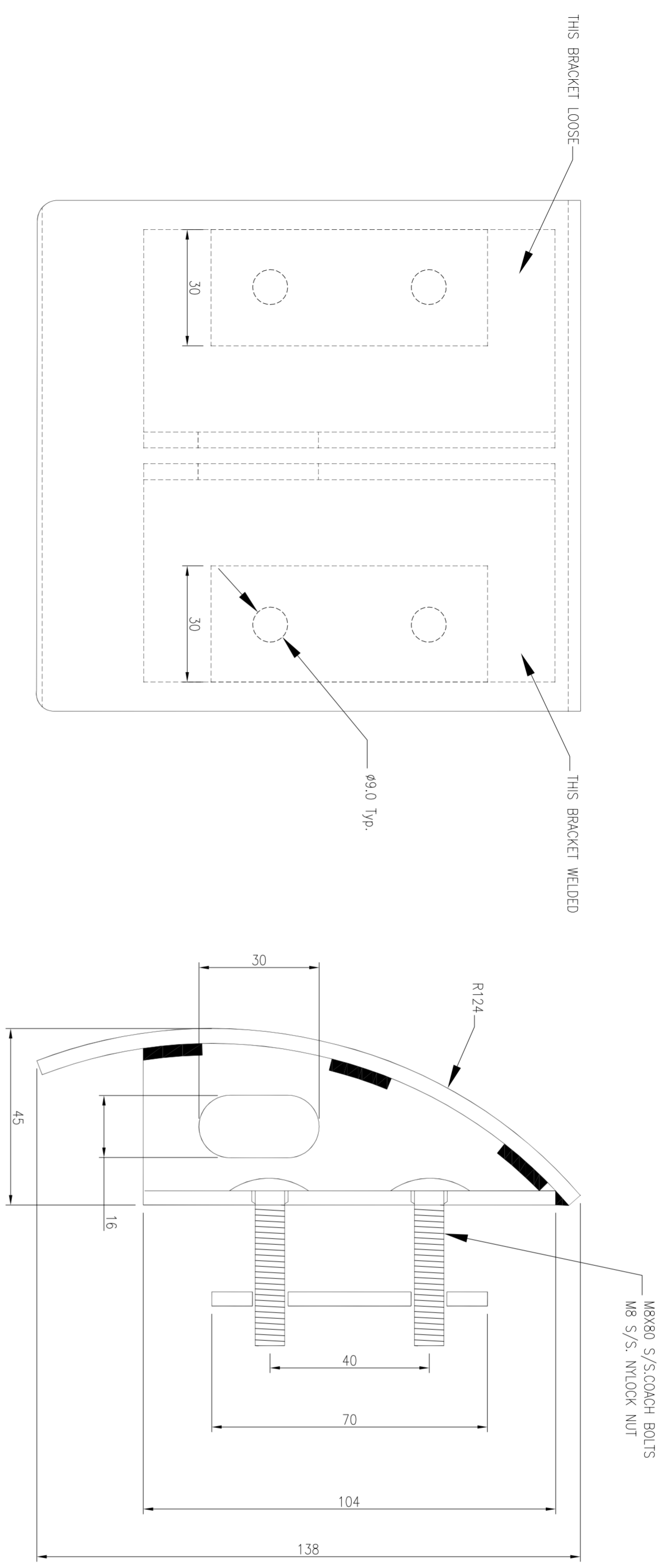
MATERIALS 316 STAINLESS STEEL TIG WELDED COVER PLATE  
4MM FLAT BAR FORMED TO SHAPE.

LOOKING PLATES CONSTRUCTED FROM 4MM STAINLESS LOCKING  
PLATES. STAINLESS STEEL PACKER PLATES 10MM THICK WITH  
HOLES AS STATED.

THREADED BOLT 8MM X 70MM ALL BOLTS TIG WELDED TO  
LOOKING PLATES. STAINLESS STEEL PACKER PLATES 10MM  
THICK WITH HOLES AS STATED.

SECURITY HASP AND STAPLES ARE HANDED LEFT/RIGHT FOR  
SPECIFIC DOOR SETS.

ALSO AVAILABLE ARE DRILLED-ONLY RECEIVER PLATES FOR  
SINGLE DOORS.



**RIGHT HAND ACTIVE DOOR SHOWN**

**NOT TO SCALE**

		FREDERICK ROAD, SALFORD		CIVIL DISTRIBUTION SUBSTATION	
		M6 60H TEL 0161 8041370			
DRAWN	JEWB	SCALE	NTS	SITE NAME	HASP & STAPLE LOCKING ARRANGEMENT
APPROVED		DATE	JULY 16	P.F.R. NO.	-
OLD DWG NO.	-	SHEET SIZE	A2	DWG NO.	900350-020
				DWG STATUS	APPROVAL
				REV	0