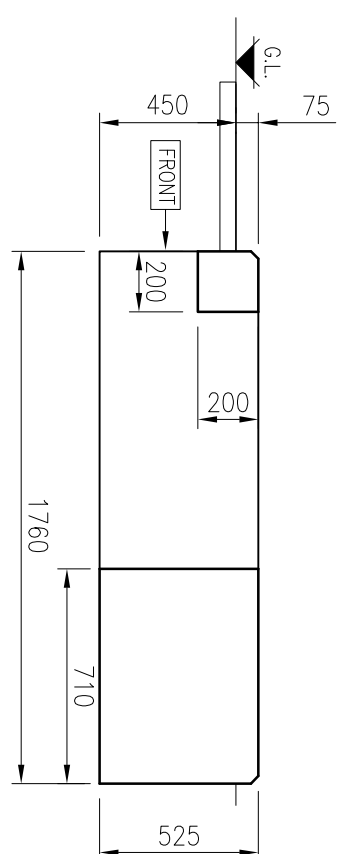
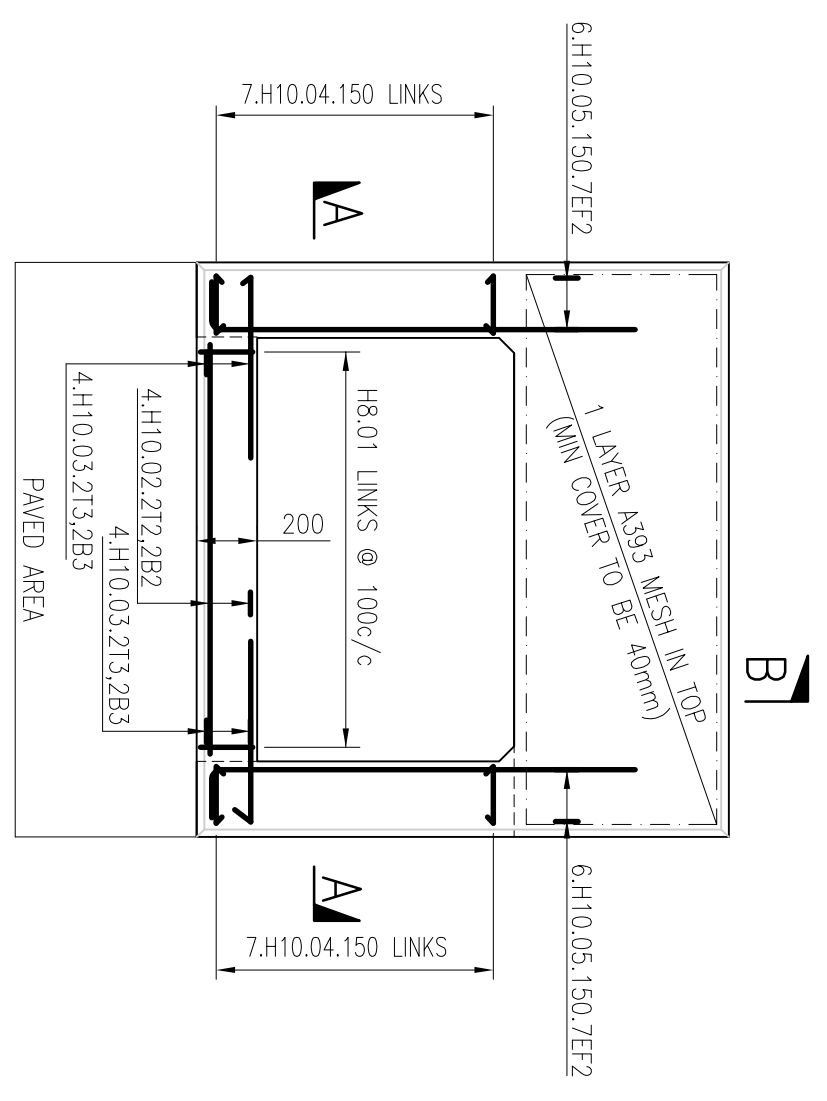


SECTION A-A

CONCRETE GENERAL ARRANGEMENT



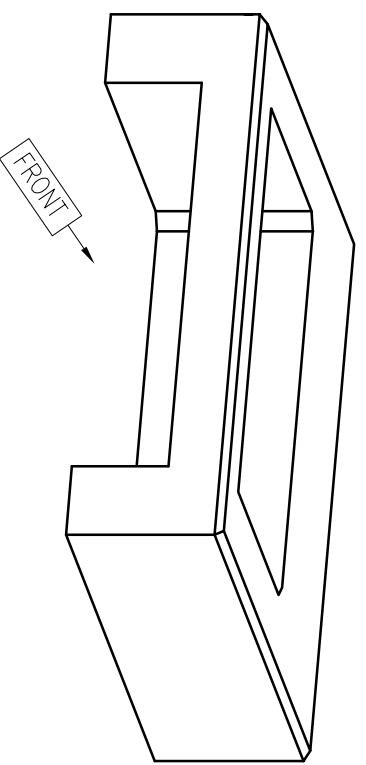
SECTION B-B



SECTION A-A

REINFORCEMENT DETAILS

SECTION B-B

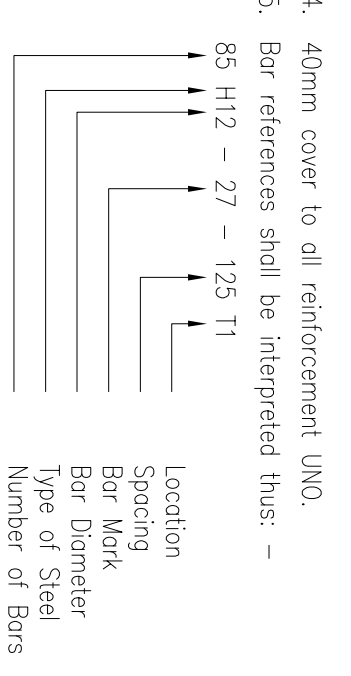


ISOMETRIC VIEW

BENDING SCHEDULE TO BS 8666:2005						
Bar mark	Type & size	No. of mbrs	No. of bars in each	Total no.	Length of each bar + mm	Shape code
01	H8	1	14	14	600	51
02	H10	1	4	4	1350	00
03	H10	1	8	8	975	11
04	H10	1	14	14	1375	51
05	H10	1	12	12	1675	11

A393 MESH FABRIC = 1.2m²

† Specified in multiples of 25mm * Specified in multiples of 5mm



REINFORCEMENT NOTES

1. Concrete to be strength class C32/40 to BS 8500.
2. Loose bar reinforcement to have the following minimum laps UNO: - H10 = 350mm - H12 = 420mm
3. Standard A393 fabric mesh to have a minimum lap of 270mm.
4. 40mm cover to all reinforcement UNO.
5. Bar references shall be interpreted thus: - 85 H12 - 27 - 125 T1

GENERAL NOTES

1. DO NOT SCALE.
 2. ALL DIMENSIONS ARE IN MILLIMETRES UNLESS NOTED OTHERWISE.
 3. THIS DRAWING IS TO BE READ IN CONJUNCTION WITH ELECTRICITY NORTH WEST CODE OF PRACTICE ES352
 4. ALL WORK TO CARRIED OUT IN ACCORDANCE WITH CURRENT BUILDING REGULATIONS AND RELEVANT BRITISH STANDARDS AND CODES OF PRACTICE.
1. CONTRACTOR TO OBTAIN UNDERGROUND CABLE & SERVICE RECORDS PRIOR TO COMMENCEMENT OF ANY WORKS.
 2. THE CONTRACTOR MUST ASSUME THAT ANY EXISTING CABLES LOCATED WITHIN THE WORKS ARE LIVE AND LIASE WITH THE ELECTRICITY NORTH WEST ENGINEER FOR ADVICE.
 3. SITE SPECIFIC RISK ASSESSMENT TO BE UNDERTAKEN PRIOR TO COMMENCEMENT OF ANY WORKS.
 4. FOUNDATION DESIGN HAS BEEN BASED ON A SUITABLE BEARING PRESSURE FOR MOST GROUND CONDITIONS INCLUDING CLAYS. FORMATION LEVEL FOR FOUNDATIONS TO BE TAKEN DOWN TO GROUND THAT IS SUFFICIENTLY FIRM TO PROVIDE PHYSICAL SUPPORT TO THE STRUCTURE.
 5. FOUNDATION FORMATION LEVELS TO BE INSPECTED AND APPROVED PRIOR TO FOUNDATION CONSTRUCTION.

SITE NOTES

Calentia north west

FREDERICK ROAD, SALFORD M6 6QH TEL 0161 6041370

CIVIL DISTRIBUTION SUBSTATION PLINTH FOR SCHNEIDER COMPACT SUBSTATION

DRAWN	GK	SCALE	1:25	SITE NAME	
APPROVED	WD	DATE	SEPT 2013	P.F.R. NO.	
OLD DWG NO.	-	SHEET SIZE	A2	DWG NO.	900350-007
				REV	1