

Electricity Specification 400W2

Issue 10 August 2024

Wood Poles and Miscellaneous Wooden Items



Amendment Summary

ISSUE NO. DATE	DESCRIPTION
Issue 8 February 2022	New Template applied throughout Prepared by: David Talbot Approved by: Policy Approval Panel and signed on its behalf by Steve Cox, DSO Director
Issue 9 July 2022	Copper Oil preservatives added as an alternative to Creosote. Prepared by: David Talbot Approved by: Policy Approval Panel and signed on its behalf by Steve Cox, DSO Director
Issue 10 August 2024	Updated to new ES template Pagination issue resolved No technical content changed Prepared by: P Howell Approved by: Policy Approval Panel and signed on its behalf by Paul Turner, PAP Chairperson

Contents

1	Introduction	5
2	Scope	5
3	Definitions	5
4	General Requirements for Approvals and Testing	6
4.1	Product not to be Changed	Error! Bookmark not defined.
4.2	Electricity North West Technical Approval	Error! Bookmark not defined.
4.3	Quality Assurance	Error! Bookmark not defined.
4.4	Formulation	Error! Bookmark not defined.
4.5	Identification Markings	Error! Bookmark not defined.
4.6	Minimum Life Expectancy	Error! Bookmark not defined.
4.7	Product Conformity	Error! Bookmark not defined.
4.8	Confirmation of Conformance	Error! Bookmark not defined.
5	Requirements for Type and Routine Testing	Error! Bookmark not defined.
5.1	Requirement for Type Tests at Suppliers Premises	Error! Bookmark not defined.
5.2	Requirement for Routine Tests at the Supplier's Premises	Error! Bookmark not defined.
5.3	Requirement for On-Site Tests	6
6	Technical Particulars	7
6.1	General	7
6.2	Variations from ENA TS 43-88	7
	Table 1: List of Fabrication Drawings by Type	7
6.3	Electricity North West's Specific Requirements	9
6.4	Miscellaneous Wooden Items	9
7	Documents Referenced	10
8	Keywords	10
	Notes on drawing I-400W2-FAB-007	22
	Notes on drawing I-400W2-FAB-008	24
	Appendix A – Schedule of Wood Poles for New or Refurbished Line Construction	27
A1	Wood Poles for LV ABC Lines Designed to ES40004	27
A2	Wood Poles for LV Bare-Wire, Vertical Formation Lines Designed to ENA TS 43-30	29
A3	Wood Poles for 11/6.6 and 33kV Lines Designed to ES40002 or ES40003	31
A4	Wood Poles for 132kV Trident Lines Designed to ENA TS 43-50	35
	Appendix B – Schedule of Wood Poles for Existing Lines (Repair Only and Stub Poles)	40

B1 Wood Poles for Existing Lines (Repair Only) and Stub Poles	40
Appendix C – Schedule of Wood Pole Plugs	41
Appendix D – Schedule of Miscellaneous Wooden Items	42
D1 Foundation Blocks, Brace Blocks and Stay Blocks	42
D2 Wood Struts	43
Appendix E – Conformance Declaration	45

All Rights Reserved

The copyright of this document, which contains information of a proprietary nature, is vested in Electricity North West Limited. The contents of this document may not be used for purposes other than that for which it has been supplied and may not be reproduced, either wholly or in part, in any way whatsoever. It may not be used by, or its contents divulged to, any other person whatsoever without the prior written permission of Electricity North West Limited.

1 Introduction

This Specification comprises general requirements for the approval and testing of wood poles employed on the electricity distribution network owned by Electricity North West Limited (Electricity North West).

2 Scope

The range of available wood poles (with commodity code (CC) numbers) is given in [Appendices A](#) and [B](#). [Appendix A](#) lists wood poles by line type for new or refurbished lines. [Appendix B](#) lists wood poles to be used for repair purposes or use as stub poles only. [Appendix C](#) specifies wood pole plugs. [Appendix D](#) comprises miscellaneous wooden items.

3 Definitions

ABC	Aerial Bundled Conductor.
Approval	Sanction by the Electricity North West Circuits Policy Manager that specified criteria have been satisfied
CCC	Compact Covered Conductor.
Contract	The agreement between Electricity North West and the Contractor for the execution of the Works including therein all documents to which reference may properly be made in order to ascertain the rights and obligations of the parties under the said agreement.
Contractor	The person or person's firm or company, including personal representatives, successors and permitted assigns, who's Tender has been accepted by Electricity North West.
Specification	The Specifications and schedules (if any) agreed by the parties for the purpose of the Contract.
Sub-Contractor	Any person (other than the Contractor) named in the Contract for any part of the Works or any person to whom any part of the Contract has been sub-let with the consent in writing of the Electricity North West Circuits Policy Manager, and the legal representatives, successors and assigns of such person.
Supplier	Any person or person's firm or company who supplies goods to Electricity North West or to its Contractor.
Tender	An offer in writing to execute work or supply goods at a fixed price.
Tenderer	The person or person's firm or company, including personal representatives, successors and permitted assigns, invited by Electricity North West to submit a Tender.

4 General Requirements for Approvals and Testing

4.1 Product not to be Changed

Compliance with this clause shall be in accordance with ES001.

4.2 Electricity North West Limited Technical Approval

Compliance with this clause shall be in accordance with ES001.

4.3 Quality Assurance

Compliance with this clause shall be in accordance with ES001.

4.4 Formulation

Compliance with this clause shall be in accordance with ES001.

4.5 Identification Markings

Compliance with this clause shall be in accordance with ES001.

4.6 Minimum Life Expectancy

The minimum life expectancy of all products covered by this Specification is 70 years.

4.7 Product Conformity

Compliance with this clause shall be in accordance with ES001.

4.8 Confirmation of Conformance

The Tenderer shall complete the conformance declaration sheets in [Appendix E](#).

Failure to complete these declaration sheets may result in an unacceptable bid.

5 Requirements for Type and Routine Testing

Compliance with this clause shall be in accordance with ES001.

5.1 Requirement for Type Tests at Suppliers Premises

Compliance with this clause shall be in accordance with ES001.

5.2 Requirement for Routine Tests at the Supplier's Premises

Compliance with this clause shall be in accordance with ES001

5.3 Requirement for On-Site Tests

These will normally be included within the scope of on-site commissioning but may be included if appropriate.

6 Technical Particulars

6.1 General

Poles shall be selected and treated in accordance with ENA TS 43-88, with Electricity North West's variations detailed in [section 6.2](#) below and Electricity North West's specific requirements detailed in [section 6.3](#) below.

6.2 Variations from ENA TS 43-88

6.2.1 General

Light Duty Wood Poles are not required by Electricity North West.

6.2.2 ENA TS 43-88, Clause 4.1: Selection of Trees; Species for Poles

Scots Pine (Pinus Sylvestris) shall be used.

6.2.3 ENA TS 43-88, Clause 5.3: Requirements; General Requirements; Size

Lengths and types of pole required by Electricity North West are listed [Appendix A](#). These sizes shall comply with Annex A of ENA TS 43-88.

6.2.4 ENA TS 43-88, Clause 9: Fabrication

Poles shall be drilled and scarfed in accordance with the fabrication drawings listed in [Table 1](#) (these drawings are included at the end of this Specification in drawing number order) and the rules given in ENA TS 43-88. Refer to [Appendices A](#) and [B](#) for the range of available poles. [Appendix A](#) lists wood poles by line type (as [Table 1](#)) for new or refurbished lines. [Appendix B](#) lists wood poles to be used for repair purposes or use as stub poles only.

Table 1: List of Fabrication Drawings by Type

LINE TYPE	SPECIFICATION REFERENCE	DRAWING TITLE	DRAWING NUMBER
LV ABC	ES400O4	Wood pole fabrication (LV ABC)	I-400W2-FAB-003
LV bare-wire, vertical formation	ENA TS 43-30	Wood pole fabrication (LV bare-wire)	I-400W2-FAB-004
Covered conductors (11/6.6 and 33kV)	ES400O2	Wood pole fabrication (ES400O2 and ES400O3), single pole	I-400W2-FAB-001
		Wood pole fabrication (ES400O2 and ES400O3), H-pole	I-400W2-FAB-002

Bare-wire (11/6.6 and 33kV)	ES40003	Wood pole fabrication (ES40002 and ES40003), single pole Wood pole fabrication (ES40002 and ES40003), H- pole	I-400W2-FAB-001 I-400W2-FAB-002
132kV Trident	ENA TS 43-50	Wood pole fabrication (132kV Trident), single, intermediate and section pole Wood pole fabrication (132kV Trident), cable terminal auxiliary pole Wood pole fabrication (132kV Trident), intermediate H-pole Wood pole fabrication (132kV Trident), terminal and section angle H-pole	I-400W2-FAB-005 I-400W2-FAB-006 I-400W2-FAB-007 I-400W2-FAB-008
Existing (repair only) and stub poles	An appropriate size/class of pole shall be selected from the available range of LV ABC poles (refer to Dwg I-400-W2-003 and Appendix A1). The pole shall be drilled and scarfed (or cut to size in the case of a stub pole) on site. The exposed areas of untreated wood shall then be brushed with an Approved preservative.		

6.2.5 ENA TS 43-88, Clause 8: Marking

Requirements for pole surface marking shall be:

- ENWL.
- Length of pole in metres and Class (M, S, ES) displayed as (e.g.) 10 x S.
- Diameter of pole in mm, 1.5m from the butt.
- Gouge mark.
- Timber species and origin. (Scots pine shall be identified by SP and Finland shall be identified by F in accordance with the drawings included in this Specification.)
- Year of preservative.
- Supplier's name or mark.
- On H-poles only: H1, H2 etc. (Each matched pair of a delivery batch of H-poles shall be identified by H1, H2, etc. For example: both poles comprising the first matched pair of H-poles in a delivery batch shall be marked "H1"; both poles of the second pair shall be marked "H2".)

- On H-poles only: the inner face of each H-pole pair shall be marked "IN".

The positioning of the above markings is shown on the appropriate drawing.

Requirements for butt marking shall be:

- Length and Class (displayed as 10 x S).

6.2.6 ENA TS 43-88, Clause 11: Preservative Treatment (Water Soluble Preservatives)

Preservation treatments using water soluble preservatives shall not be used. All Electricity North West's poles shall be treated with creosote or Copper Oil preservative.

6.3 Electricity North West's Specific Requirements

6.3.1 Anti-Split Bolts

Certain poles shall be drilled to accommodate two, M20, anti-split bolts. These holes are shown on the appropriate drawings. This requirement applies to all pole types and sizes covered by this Specification, with the exception of all LV poles fabricated to Drawings I-400W2-FAB-003 and I-400W2-FAB-004 and 132kV Trident poles.

6.4 Miscellaneous Wooden Items

6.4.1 Foundation Blocks, Brace Blocks and Stay Blocks

Foundation blocks, brace blocks and stay blocks are shown in drawing I-400W2-FAB-010 and listed in [Appendix D](#). Materials, fabrication and treatment shall generally be in accordance with this Specification.

6.4.2 Wood Struts

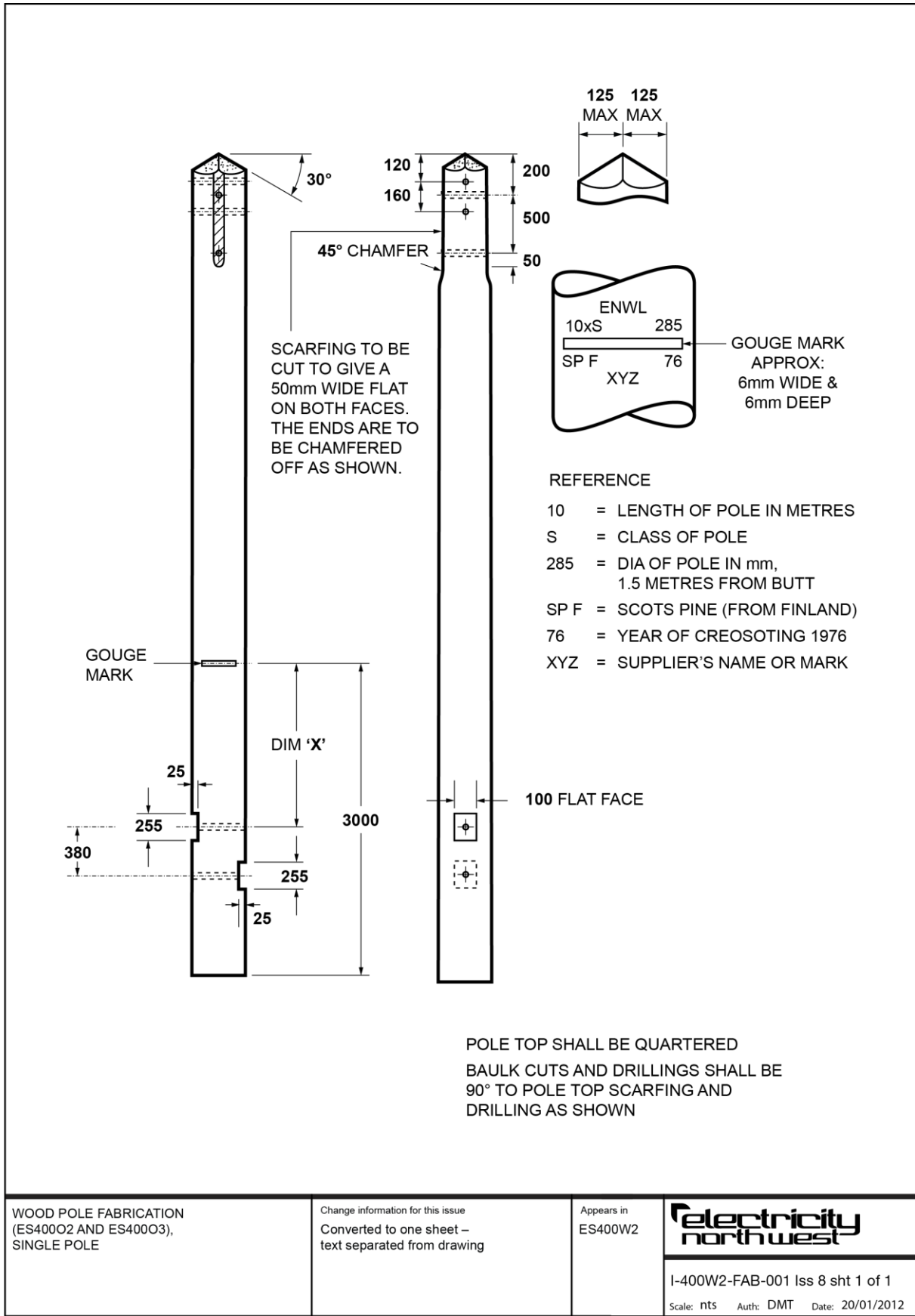
Wood struts shall be fabricated in accordance with drawing I-400W2-FAB-011. They shall generally comply with the Technical Particulars given above for wood poles. Sizes and CC numbers are listed in [Appendix D](#).

7 Documents Referenced

DOCUMENTS REFERENCED	
Health and Safety at Work Act 1974	
Control of Substances Hazardous to Health Regulations 2002	
Manual Handling Operations Regulations 1992	
BS EN ISO 9000	Quality management systems
BS EN ISO 14001:	Environmental Management Systems.
ENA TS 43-30:	Low voltage overhead lines on wood poles.
ENA TS 43-50:	132 kV single circuit overhead lines on wood poles.
ENA TS 43-88:	Selection and treatment of wood poles and associated timber for overhead lines, Issue 6, 2016.
ENA TS 43-91:	Stay Strands and Stay Fittings for Overhead Lines.
CP311:	Equipment Approval Policy and Process
ES400F1:	Fasteners and washers for wood pole overhead lines.
ES400O2:	Overhead-Lines of Compact-Covered-Construction for 11/6.6 and 33kV: Design and Construction.
ES400O3:	Bare-Wire Overhead Lines on Wood Poles for 11/6.6 and 33kV: Design and Construction.
ES400O4:	LV ABC Overhead Lines and Services: Design and Construction.
ES400S11:	Overhead Line Steelwork for Wood Pole Lines and Ancillary Steelwork for Lattice Steel Towers.

8 Keywords

Pole.



WOOD POLE FABRICATION
(ES400O2 AND ES400O3),
SINGLE POLE

Change information for this issue
Converted to one sheet –
text separated from drawing

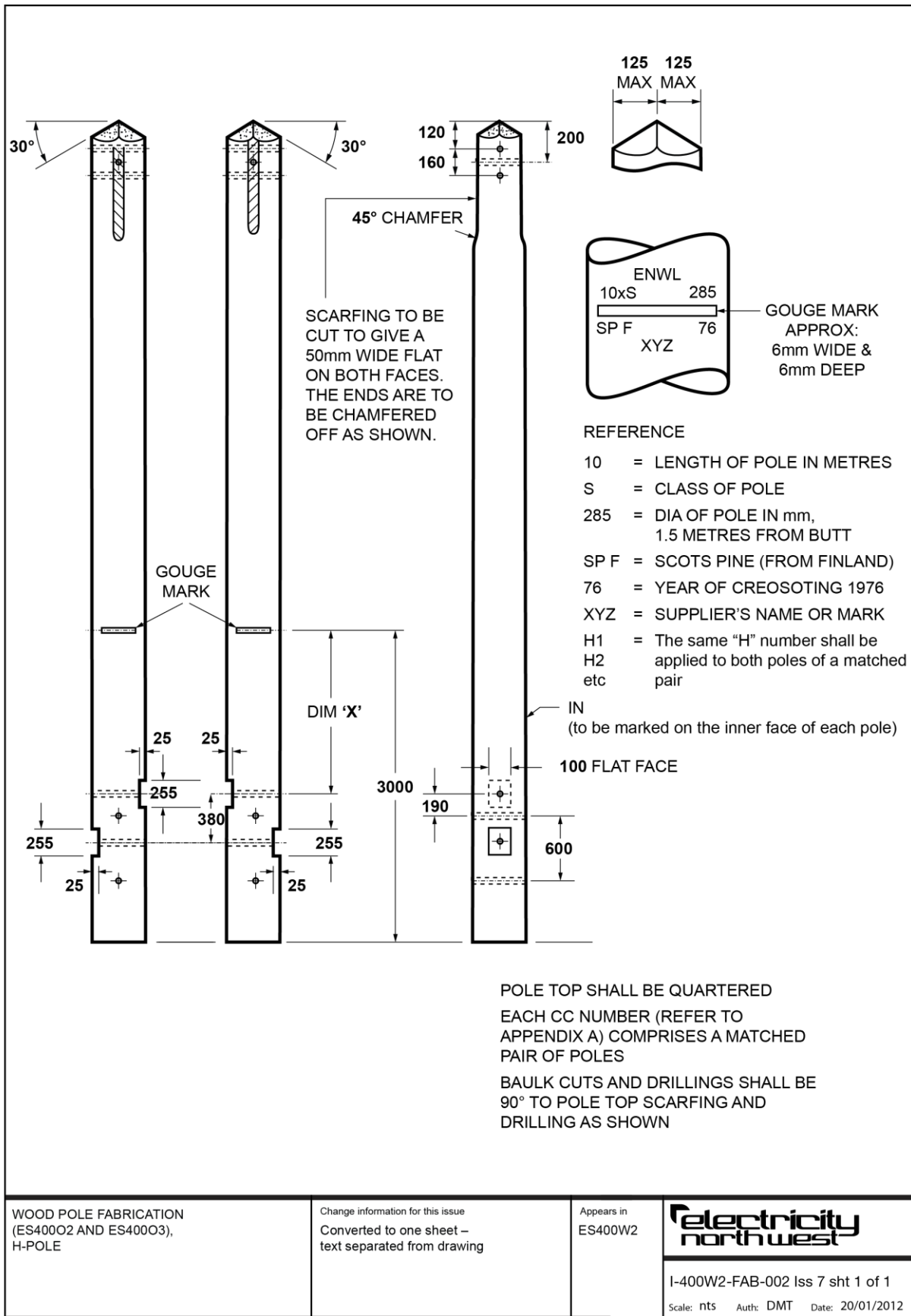
Appears in
ES400W2

NOTES ON DRAWING I-400W2-FAB-001

- (a) Foundation blocks shall be selected and ordered separately. Refer to ES400O2 or ES400O3 as appropriate.
- (b) This fabrication is for use with all single pole structures.
- (c) The pole butt shall be cut at right angles to the vertical axis of the pole.
- (d) All cutting, drilling and scarfing shall be done using a template prior to preservation treatment.
- (e) All holes shall be 22mm diameter and drilled at right angles to the vertical centre line of the pole.
- (f) Pole size and grade shall be impressed on the butt.
- (g) To accommodate wood blocks, the scarfing shall be cut to provide a 100mm face.
- (h) Pole length/Dimension "X" and Planting Depth:

(i) Pole Length (m)	(j) Dimension 'X' (mm)	(k) Planting Depth (mm)
(l) 9, 10, 11, 12	(m) 1700	(n) 1800
(o) 13, 14, 15, 16, 17, 18	(p) 1100	(q) 2400
(r) 20, 22, 24	(s) 500	(t) 3000

- (i) The pole top dimensions shown on the drawing (125 (max)) are from pole centre to scarfed face.

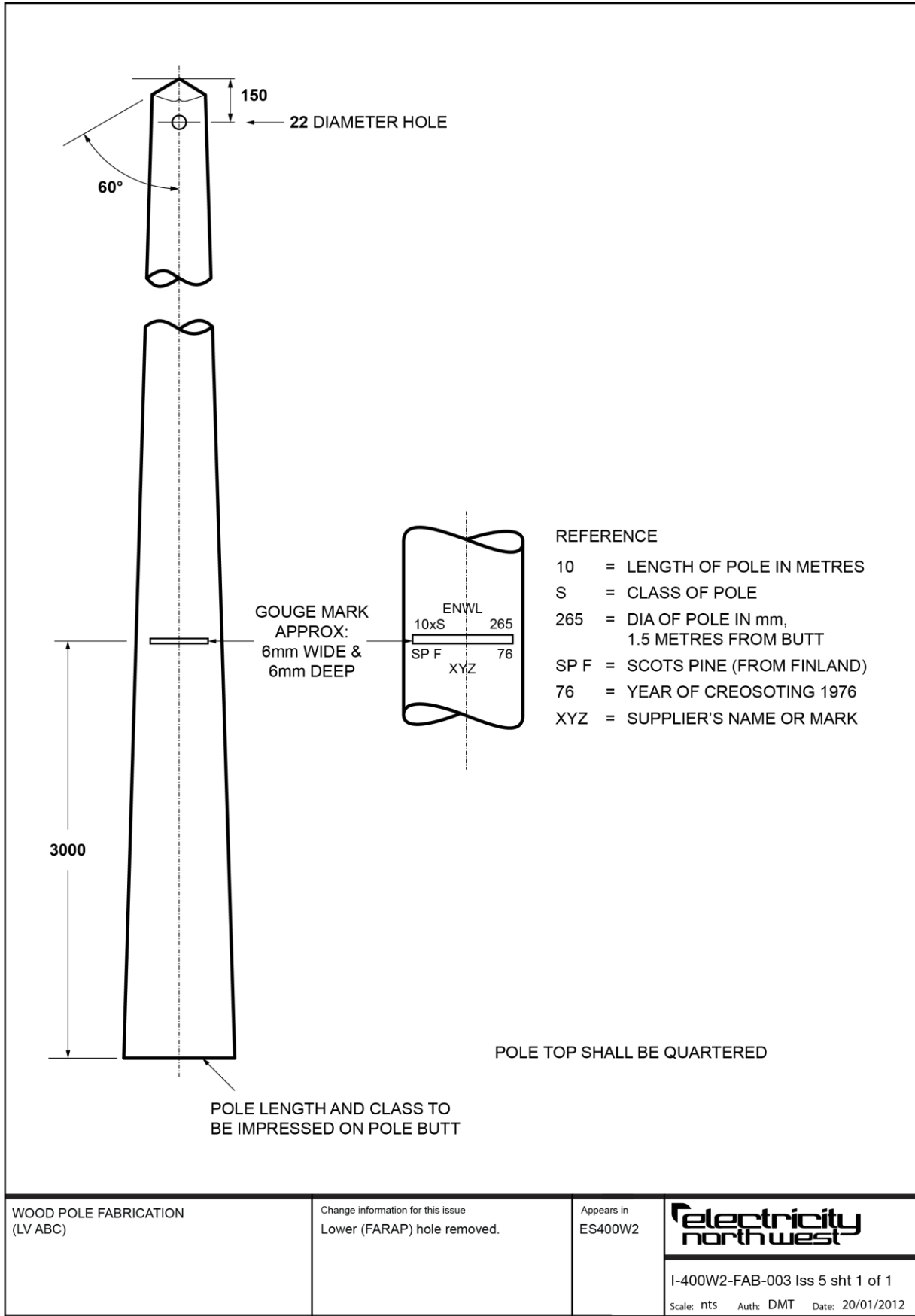


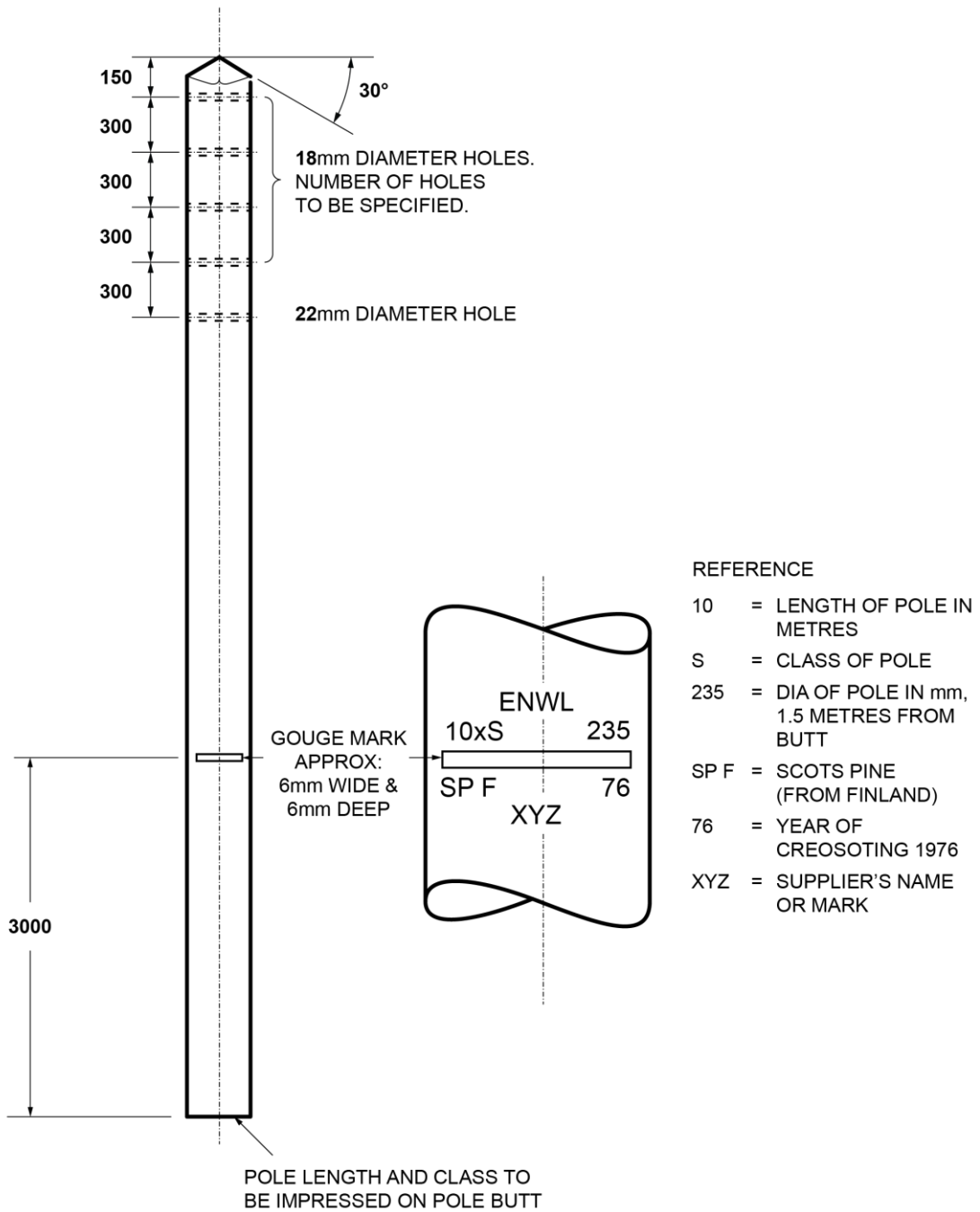
NOTES ON DRAWING I-400W2-FAB-002

- (a) Foundation blocks, brace blocks and H-pole foundation kits shall be selected and ordered separately. Refer to ES400O2 or ES400O3 as appropriate.
- (b) This fabrication is for use with H-pole structures.
- (c) Individual poles shall be matched to form the "H" structure.
- (d) The pole butt shall be cut at right angles to the vertical axis of the pole.
- (e) All cutting, drilling and scarfing shall be done using a template prior to preservation treatment.
- (f) All holes shall be 22mm diameter and drilled at right angles to the vertical centre line of the pole.
- (g) Pole size and grade shall be impressed on the butt of each pole.
- (h) Medium class poles shall have a minimum top diameter of 175mm.
- (i) Stout class poles shall have a minimum top diameter of 210mm.
- (j) Pole length/Dimension "X" and Planting Depth:

(k) Pole Length (m)	(l) Dimension 'X' (mm)	(m) Planting Depth (mm)
(n) 9, 10, 11, 12	(o) 1700	(p) 1800
(q) 13, 14, 15, 16, 17, 18	(r) 1100	(s) 2400
(t) 20, 22, 24	(u) 500	(v) 3000

- (k) The pole top dimensions shown on the drawing (125 (max)) are from pole centre to scarfed face.



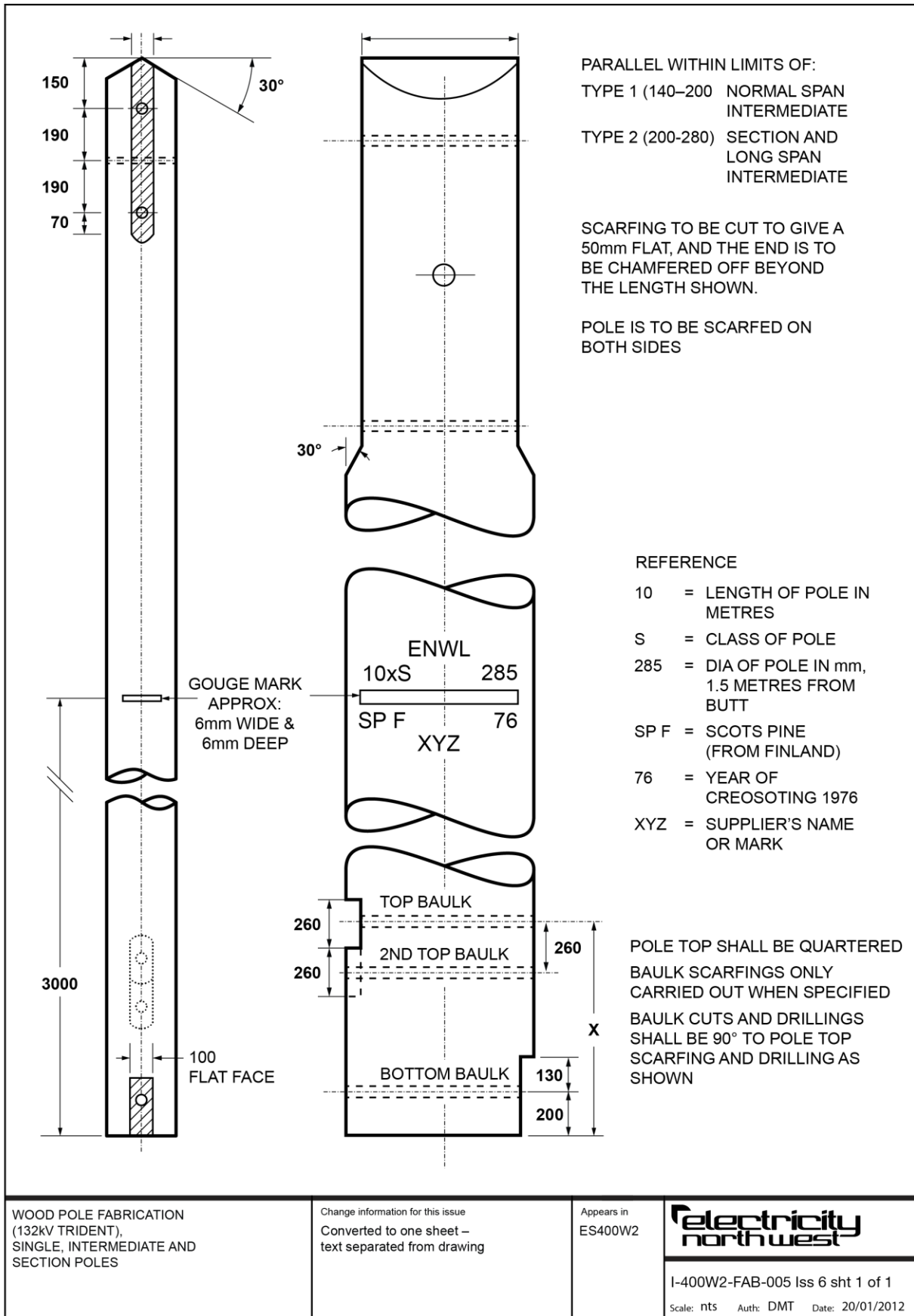


POLE TOP SHALL BE QUARTERED

WOOD POLE FABRICATION
(LV BARE-WIRE)

Change information for this issue
N/A

Appears in
ES400W2

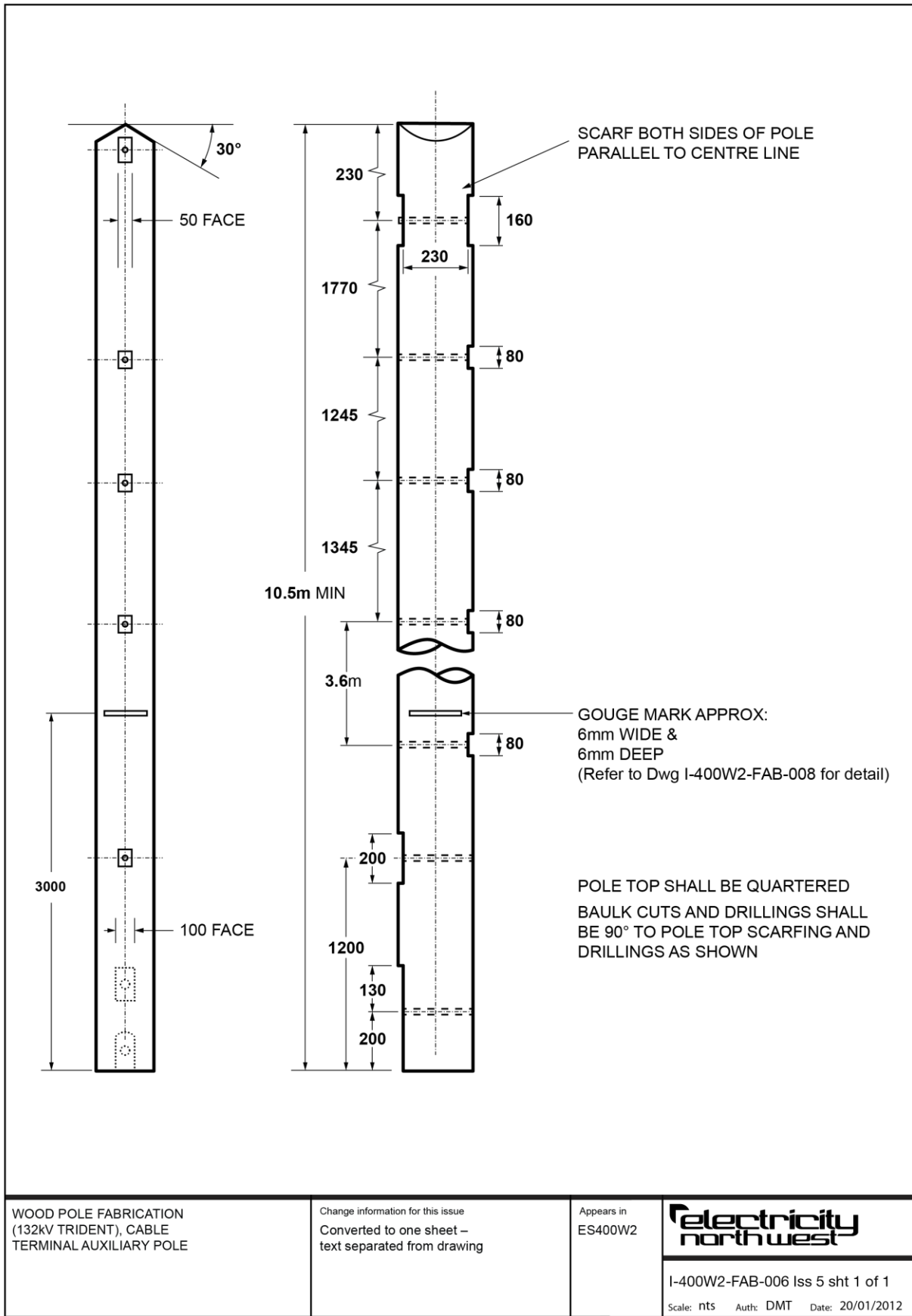


NOTES ON DRAWING I-400W2-FAB-005

- (a) Foundation blocks shall be selected and ordered separately.
- (b) The pole butt shall be cut at right angles to the vertical axis of the pole.
- (c) All cutting, drilling and scarfing shall be done using a template prior to preservation treatment.
- (d) All holes shall be 22mm diameter and drilled at right angles to the vertical centre line of the pole.
- (e) Pole size and grade shall be impressed on the butt.
- (f) To accommodate wood blocks, the scarfing shall be cut to provide a 100mm face.
- (g) Planting depth:

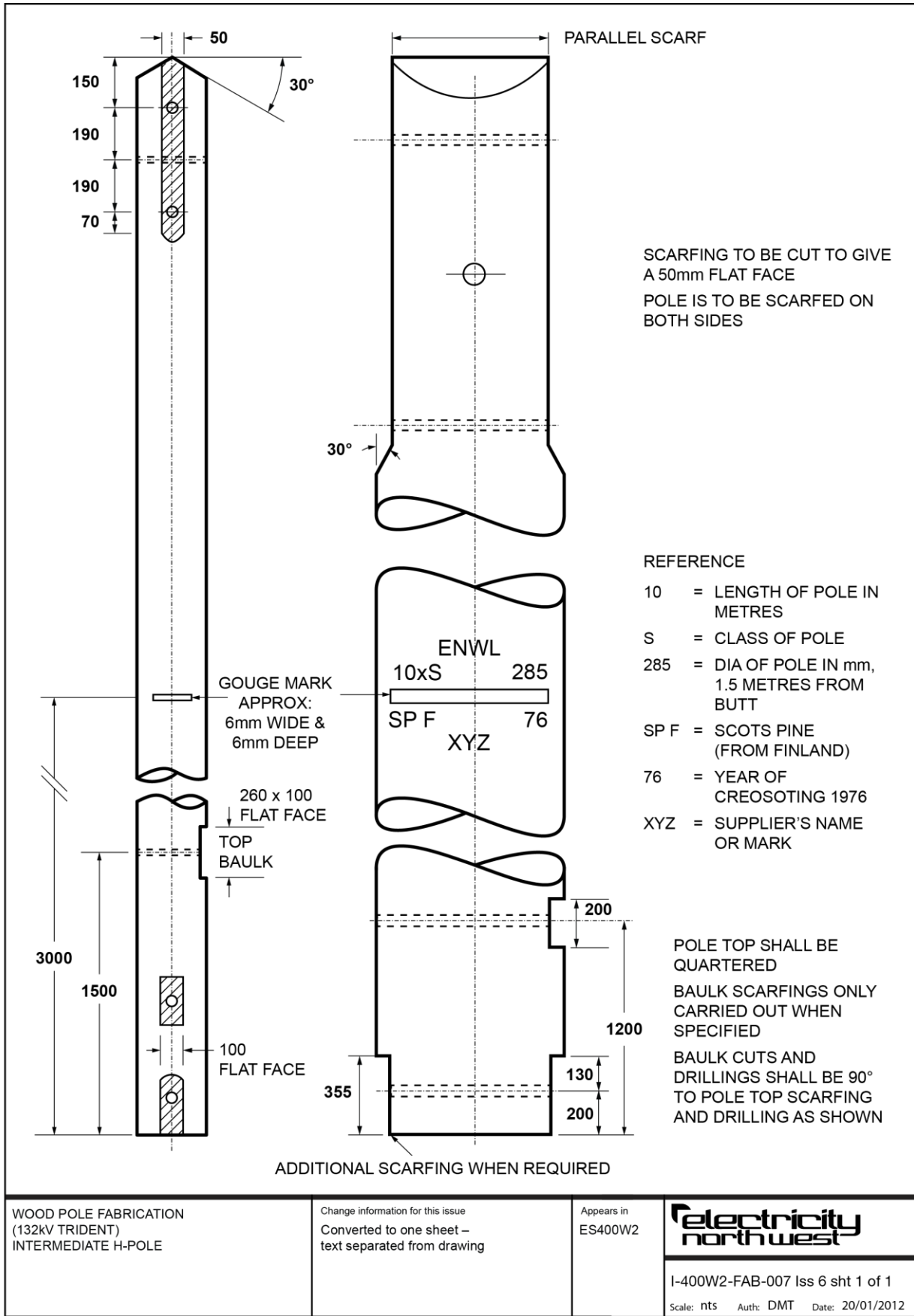
PLANTING DEPTH * m	FOUNDATION TYPES	
	A&C	B&D
	DIM X m	DIM X m
2.00	1.4	1.5
2.25	1.65	1.75
2.5	1.9	2.0
2.75	2.15	2.25
3.0	2.4	2.5

*STAYED SECTION POLE PLANTING DEPTH = 2.0 m.



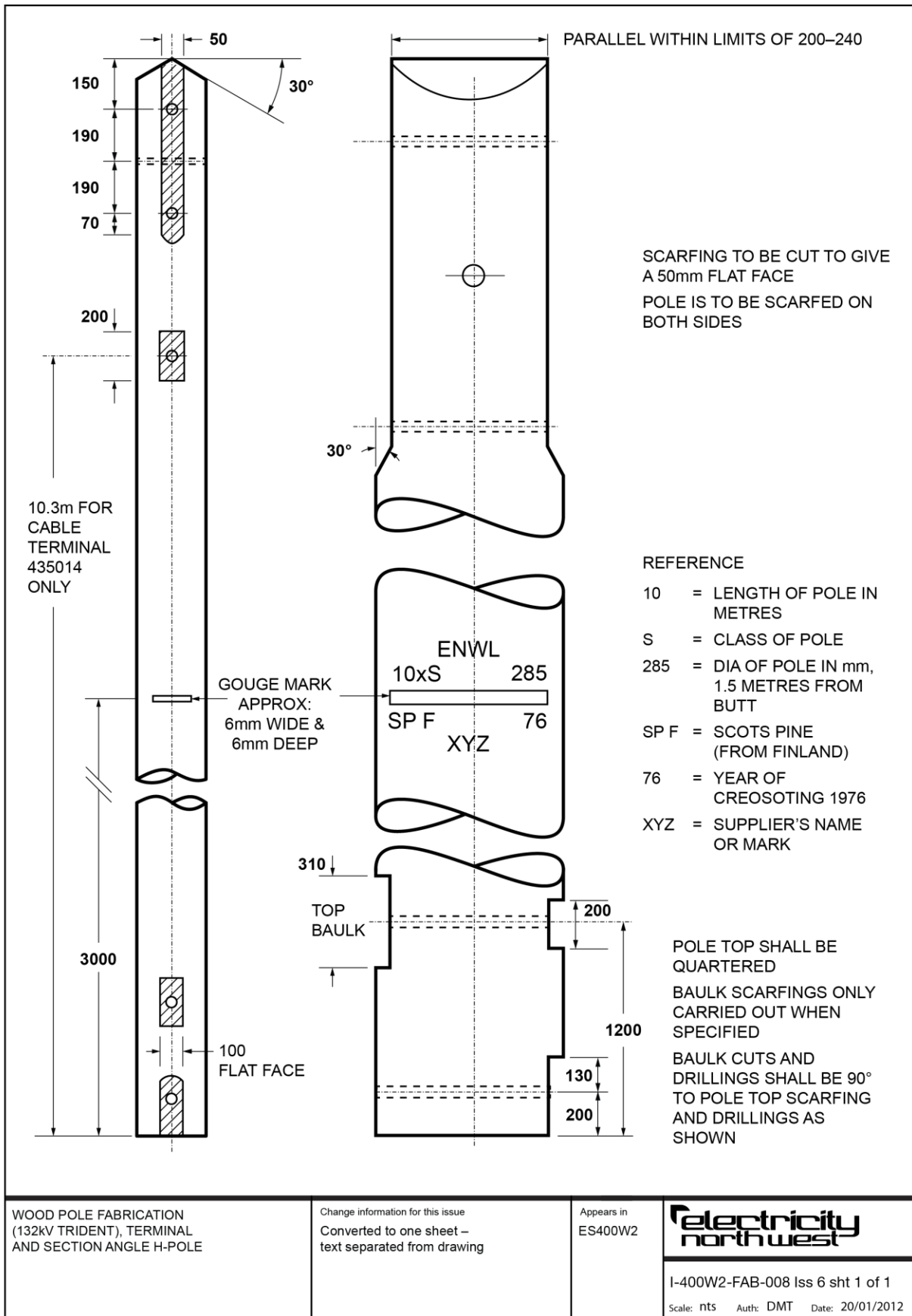
NOTES ON DRAWING I-400W2-FAB-006

- (a) Brace blocks shall be selected and ordered separately. Refer to the general arrangement drawing in ENA TS 43-50.
- (b) This fabrication is for use as part of a pole mounted cable termination arrangement (refer to ENA TS 43-50).
- (c) Individual poles shall be matched to form the auxiliary pair.
- (d) The pole butt shall be cut at right angles to the vertical axis of the pole.
- (e) All cutting, drilling and scarfing shall be done using a template prior to preservation treatment.
- (f) All holes shall be 22mm diameter and drilled at right angles to the vertical centre line of the pole.
- (g) Pole size and grade shall be impressed on the butt of each pole.



NOTES ON DRAWING I-400W2-FAB-007

- (a) Brace blocks shall be selected and ordered separately. Refer to the general arrangement drawing in ENA TS 43-50.
- (b) This fabrication is for use with H-pole structures.
- (c) Individual poles shall be matched to form the "H" structure.
- (d) The pole butt shall be cut at right angles to the vertical axis of the pole.
- (e) All cutting, drilling and scarfing shall be done using a template prior to preservation treatment.
- (f) All holes shall be 22mm diameter and drilled at right angles to the vertical centre line of the pole.
- (g) Pole size and grade shall be impressed on the butt of each pole.



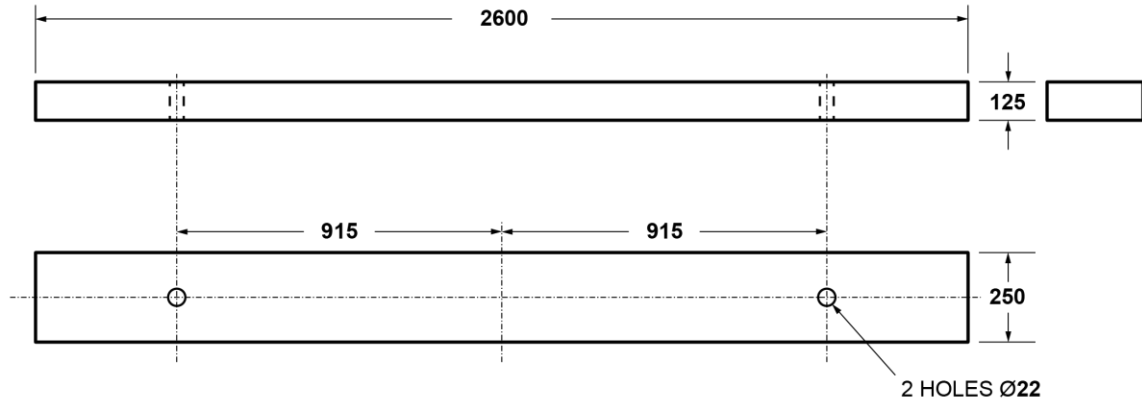
WOOD POLE FABRICATION (132KV TRIDENT), TERMINAL AND SECTION ANGLE H-POLE

Change information for this issue
Converted to one sheet – text separated from drawing

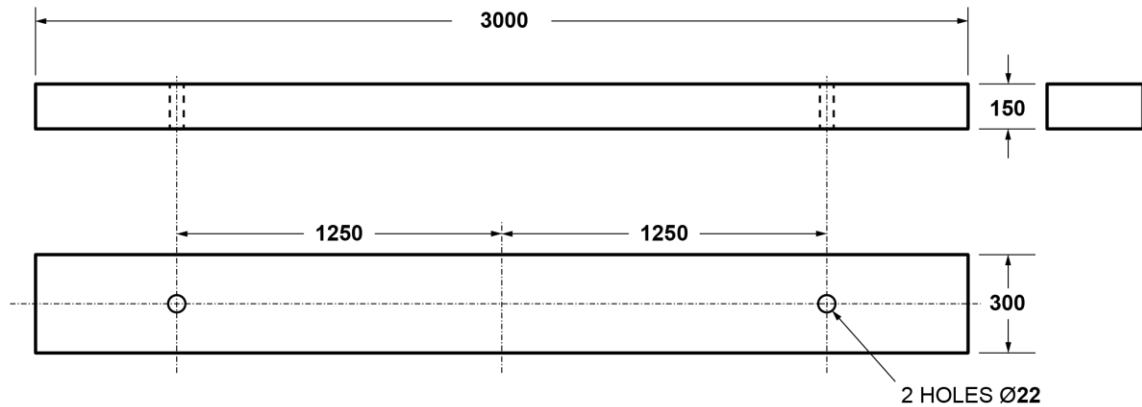
Appears in
ES400W2

NOTES ON DRAWING I-400W2-FAB-008


- (a) Brace blocks shall be selected and ordered separately. Refer to the general arrangement drawing in ENA TS 43-50.
- (b) This fabrication is used for terminal and section angle H-poles (refer to ENA TS 43-50).
- (c) Individual poles shall be matched to form the "H" structure.
- (d) The pole butt shall be cut at right angles to the vertical axis of the pole.
- (e) All cutting, drilling and scarfing shall be done using a template prior to preservation treatment.
- (f) All holes shall be 22mm diameter and drilled at right angles to the vertical centre line of the pole.
- (g) Pole size and grade shall be impressed on the butt of each pole.

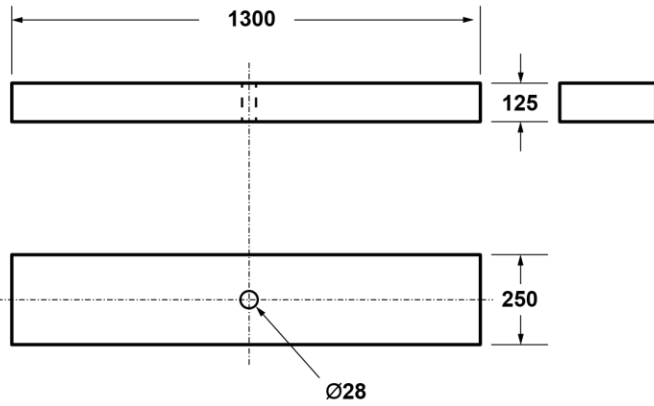


Wood block, brace, type 1, 1830mm pole centres (cc 106585)

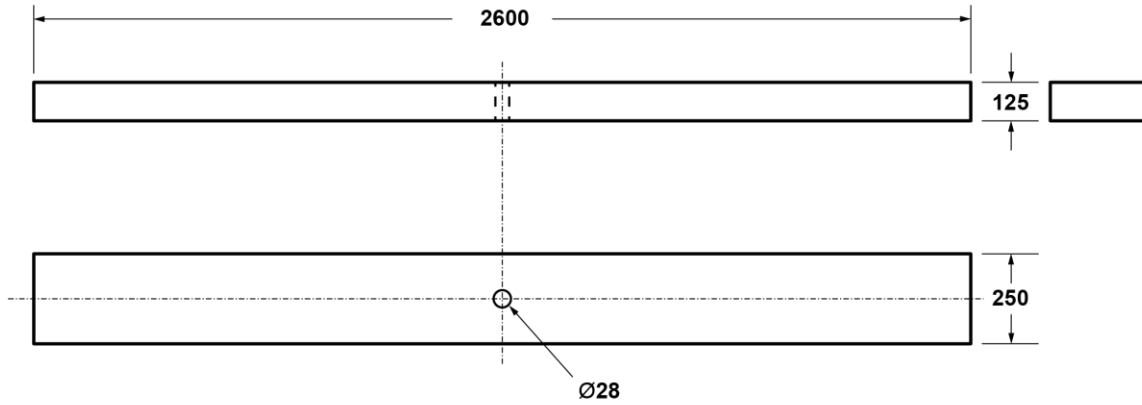


Wood block, brace, type 2, 2500mm pole centres (cc 105858)

WOOD BLOCKS	Change information for this issue N/A	Appears in ES400W2	 I-400W2-FAB-010 Iss 1 sht 1 of 2 Scale: nts Auth: DMT Date: 20/01/2012
-------------	--	-----------------------	--



Wood block, foundation/stay, 1300mm (CC 106569)



Wood block, foundation, large, 2600mm (CC 106562)

WOOD BLOCKS

Change information for this issue
N/A

Appears in
ES400W2



I-400W2-FAB-010 Iss 1 sht 2 of 2

Scale: nts Auth: DMT Date: 20/01/2012

Appendix A – Schedule of Wood Poles for New or Refurbished Line Construction

A1 Wood Poles for LV ABC Lines Designed to ES40004

APPROVED DESCRIPTION (FOR PURCHASING AND PRODUCT LABELLING)	CC NUMBER
Wood pole, single, medium, 9m, Creosote (Dwg I-400W2-FAB-003)	103600
Wood pole, single, medium, 10m, Creosote (Dwg I-400W2-FAB-003)	103601
Wood pole, single, medium, 10m, Copper Oil (Dwg I-400W2-FAB-003)	
Wood pole, single, medium, 11m, Creosote (Dwg I-400W2-FAB-003)	103602
Wood pole, single, medium, 11m, Copper Oil (Dwg I-400W2-FAB-003)	
Wood pole, single, medium, 13m, Creosote (Dwg I-400W2-FAB-003)	103604
Wood pole, single, medium, 14m, Creosote (Dwg I-400W2-FAB-003)	103605
Wood pole, single, medium, 15m, Creosote (Dwg I-400W2-FAB-003)	103606
Wood pole, single, medium, 16m, Creosote (Dwg I-400W2-FAB-003)	103607
Wood pole, single, medium, 17m, Creosote (Dwg I-400W2-FAB-003)	103608
Wood pole, single, medium, 18m, Creosote (Dwg I-400W2-FAB-003)	103609
Wood pole, single, medium, 20m, Creosote (Dwg I-400W2-FAB-003)	103610
Wood pole, single, medium, 22m, Creosote (Dwg I-400W2-FAB-003)	103611
Wood pole, single, stout, 9m, Creosote (Dwg I-400W2-FAB-003)	103613
Wood pole, single, stout, 10m, Creosote (Dwg I-400W2-FAB-003)	103614
Wood pole, single, stout, 10m, Copper Oil (Dwg I-400W2-FAB-003)	
Wood pole, single, stout, 11m, Creosote (Dwg I-400W2-FAB-003)	103615
Wood pole, single, stout, 11m, Copper Oil (Dwg I-400W2-FAB-003)	

Wood pole, single, stout, 12m, Creosote (Dwg I-400W2-FAB-003)	103616
Wood pole, single, stout, 13m, Creosote (Dwg I-400W2-FAB-003)	103617
Wood pole, single, stout, 14m, Creosote (Dwg I-400W2-FAB-003)	103618
Wood pole, single, stout, 15m, Creosote (Dwg I-400W2-FAB-003)	103619
Wood pole, single, stout, 16m, Creosote (Dwg I-400W2-FAB-003)	103620
Wood pole, single, stout, 17m, Creosote (Dwg I-400W2-FAB-003)	103621
Wood pole, single, stout, 18m, Creosote (Dwg I-400W2-FAB-003)	103622
Wood pole, single, stout, 20m, Creosote (Dwg I-400W2-FAB-003)	103623
Wood pole, single, stout, 22m, Creosote (Dwg I-400W2-FAB-003)	103624
Wood pole, single, stout, 24m, Creosote (Dwg I-400W2-FAB-003)	103625
Wood pole, single, extra stout, 9m, Creosote (Dwg I-400W2-FAB-003)	103626
Wood pole, single, extra stout, 10m, Creosote (Dwg I-400W2-FAB-003)	103627
Wood pole, single, extra stout, 11m, Creosote (Dwg I-400W2-FAB-003)	103628
Wood pole, single, extra stout, 12m, Creosote (Dwg I-400W2-FAB-003)	103630
Wood pole, single, extra stout, 13m, Creosote (Dwg I-400W2-FAB-003)	103631
Wood pole, single, extra stout, 14m, Creosote (Dwg I-400W2-FAB-003)	103632
Wood pole, single, extra stout, 15m, Creosote (Dwg I-400W2-FAB-003)	103633
Wood pole, single, extra stout, 16m, Creosote (Dwg I-400W2-FAB-003)	103634
Wood pole, single, extra stout, 17m, Creosote (Dwg I-400W2-FAB-003)	103635
Wood pole, single, extra stout, 18m, Creosote (Dwg I-400W2-FAB-003)	103636
Wood pole, single, extra stout, 20m, Creosote (Dwg I-400W2-FAB-003)	103637
Wood pole, single, extra stout, 22m, Creosote (Dwg I-400W2-FAB-003)	103638

A2 Wood Poles for LV Bare-Wire, Vertical Formation Lines Designed to ENA TS 43-30

APPROVED DESCRIPTION (FOR PURCHASING AND PRODUCT LABELLING)	CC NUMBER
Wood pole, single, medium, 9m, Creosote (Dwg I-400W2-FAB-004)	103640
Wood pole, single, medium, 10m, Creosote (Dwg I-400W2-FAB-004)	103641
Wood pole, single, medium, 10m, Copper Oil (Dwg I-400W2-FAB-004)	
Wood pole, single, medium, 11m, Creosote (Dwg I-400W2-FAB-004)	103642
Wood pole, single, medium, 11m, Copper Oil (Dwg I-400W2-FAB-004)	
Wood pole, single, medium, 12m, Creosote (Dwg I-400W2-FAB-004)	103643
Wood pole, single, medium, 13m, Creosote (Dwg I-400W2-FAB-004)	103644
Wood pole, single, medium, 14m, Creosote (Dwg I-400W2-FAB-004)	103645
Wood pole, single, medium, 15m, Creosote (Dwg I-400W2-FAB-004)	103646
Wood pole, single, medium, 16m, Creosote (Dwg I-400W2-FAB-004)	103647
Wood pole, single, medium, 17m, Creosote (Dwg I-400W2-FAB-004)	103648
Wood pole, single, medium, 18m, Creosote (Dwg I-400W2-FAB-004)	103649
Wood pole, single, medium, 20m, Creosote (Dwg I-400W2-FAB-004)	103650
Wood pole, single, medium, 22m, Creosote (Dwg I-400W2-FAB-004)	103651
Wood pole, single, stout, 9m, Creosote (Dwg I-400W2-FAB-004)	103653
Wood pole, single, stout, 10m, Creosote (Dwg I-400W2-FAB-004)	103654
Wood pole, single, stout, 10m, Copper Oil (Dwg I-400W2-FAB-004)	
Wood pole, single, stout, 11m, Creosote (Dwg I-400W2-FAB-004)	103655
Wood pole, single, stout, 11m, Copper Oil (Dwg I-400W2-FAB-004)	

Wood pole, single, stout, 12m, Creosote (Dwg I-400W2-FAB-004)	103656
Wood pole, single, stout, 13m, Creosote (Dwg I-400W2-FAB-004)	103657
Wood pole, single, stout, 14m, Creosote (Dwg I-400W2-FAB-004)	103658
Wood pole, single, stout, 15m, Creosote (Dwg I-400W2-FAB-004)	103659
Wood pole, single, stout, 16m, Creosote (Dwg I-400W2-FAB-004)	103660
Wood pole, single, stout, 17m, Creosote (Dwg I-400W2-FAB-004)	103661
Wood pole, single, stout, 18m, Creosote (Dwg I-400W2-FAB-004)	103662
Wood pole, single, stout, 20m, Creosote (Dwg I-400W2-FAB-004)	103663
Wood pole, single, stout, 22m, Creosote (Dwg I-400W2-FAB-004)	103664
Wood pole, single, stout, 24m, Creosote (Dwg I-400W2-FAB-004)	103665
Wood pole, single, extra stout, 9m, Creosote (Dwg I-400W2-FAB-004)	103666
Wood pole, single, extra stout, 10m, Creosote (Dwg I-400W2-FAB-004)	103667
Wood pole, single, extra stout, 11m, Creosote (Dwg I-400W2-FAB-004)	103668
Wood pole, single, extra stout, 12m, Creosote (Dwg I-400W2-FAB-004)	103669
Wood pole, single, extra stout, 13m, Creosote (Dwg I-400W2-FAB-004)	103670
Wood pole, single, extra stout, 14m, Creosote (Dwg I-400W2-FAB-004)	103671
Wood pole, single, extra stout, 15m, Creosote (Dwg I-400W2-FAB-004)	103672
Wood pole, single, extra stout, 16m, Creosote (Dwg I-400W2-FAB-004)	103673
Wood pole, single, extra stout, 17m, Creosote (Dwg I-400W2-FAB-004)	103674
Wood pole, single, extra stout, 18m, Creosote (Dwg I-400W2-FAB-004)	103675
Wood pole, single, extra stout, 20m, Creosote (Dwg I-400W2-FAB-004)	103676
Wood pole, single, extra stout, 22m, Creosote (Dwg I-400W2-FAB-004)	103677

A3 Wood Poles for 11/6.6 and 33kV Lines Designed to ES40002 or ES40003

APPROVED DESCRIPTION (FOR PURCHASING AND PRODUCT LABELLING)	CC NUMBER
Wood pole, single, medium, 9m, Creosote (Dwg I-400W2-FAB-001)	103900
Wood pole, single, medium, 10m, Creosote (Dwg I-400W2-FAB-001)	103906
Wood pole, single, medium, 11m, Creosote (Dwg I-400W2-FAB-001)	103912
Wood pole, single, medium, 12m, Creosote (Dwg I-400W2-FAB-001)	103918
Wood pole, single, medium, 13m, Creosote (Dwg I-400W2-FAB-001)	103924
Wood pole, single, medium, 14m, Creosote (Dwg I-400W2-FAB-001)	103930
Wood pole, single, medium, 15m, Creosote (Dwg I-400W2-FAB-001)	103936
Wood pole, single, medium, 16m, Creosote (Dwg I-400W2-FAB-001)	103942
Wood pole, single, medium, 17m, Creosote (Dwg I-400W2-FAB-001)	103948
Wood pole, single, medium, 18m, Creosote (Dwg I-400W2-FAB-001)	103954
Wood pole, single, medium, 20m, Creosote (Dwg I-400W2-FAB-001)	103960
Wood pole, single, medium, 22m, Creosote (Dwg I-400W2-FAB-001)	103679
Wood pole, single, stout, 9m, Creosote (Dwg I-400W2-FAB-001)	103901
Wood pole, single, stout, 10m, Creosote (Dwg I-400W2-FAB-001)	103907
Wood pole, single, stout, 11m, Creosote (Dwg I-400W2-FAB-001)	103913
Wood pole, single, stout, 12m, Creosote (Dwg I-400W2-FAB-001)	103919
Wood pole, single, stout, 13m, Creosote (Dwg I-400W2-FAB-001)	103925
Wood pole, single, stout, 14m, Creosote (Dwg I-400W2-FAB-001)	103931
Wood pole, single, stout, 15m, Creosote (Dwg I-400W2-FAB-001)	103937
Wood pole, single, stout, 16m, Creosote (Dwg I-400W2-FAB-001)	103943

Wood pole, single, stout, 17m, Creosote (Dwg I-400W2-FAB-001)	103949
Wood pole, single, stout, 18m, Creosote (Dwg I-400W2-FAB-001)	103955
Wood pole, single, stout, 20m, Creosote (Dwg I-400W2-FAB-001)	103961
Wood pole, single, stout, 22m, Creosote (Dwg I-400W2-FAB-001)	103681
Wood pole, single, stout, 24m, Creosote (Dwg I-400W2-FAB-001)	103682
Wood pole, single, extra stout, 9m, Creosote (Dwg I-400W2-FAB-001)	103683
Wood pole, single, extra stout, 10m, Creosote (Dwg I-400W2-FAB-001)	103684
Wood pole, single, extra stout, 11m, Creosote (Dwg I-400W2-FAB-001)	103685
Wood pole, single, extra stout, 12m, Creosote (Dwg I-400W2-FAB-001)	103686
Wood pole, single, extra stout, 13m, Creosote (Dwg I-400W2-FAB-001)	103687
Wood pole, single, extra stout, 14m, Creosote (Dwg I-400W2-FAB-001)	103688
Wood pole, single, extra stout, 15m, Creosote (Dwg I-400W2-FAB-001)	103689
Wood pole, single, extra stout, 16m, Creosote (Dwg I-400W2-FAB-001)	103690
Wood pole, single, extra stout, 17m, Creosote (Dwg I-400W2-FAB-001)	103691
Wood pole, single, extra stout, 18m, Creosote (Dwg I-400W2-FAB-001)	103692
Wood pole, single, extra stout, 20m, Creosote (Dwg I-400W2-FAB-001)	103693
Wood pole, single, extra stout, 22m, Creosote (Dwg I-400W2-FAB-001)	103694
Wood pole pair, H-, medium, 9m, Creosote (Dwg I-400W2-FAB-002)	103902
Wood pole pair, H-, medium, 10m, Creosote (Dwg I-400W2-FAB-002)	103908
Wood pole pair, H-, medium, 11m, Creosote (Dwg I-400W2-FAB-002)	103914
Wood pole pair, H-, medium, 12m, Creosote (Dwg I-400W2-FAB-002)	103920
Wood pole pair, H-, medium, 13m, Creosote (Dwg I-400W2-FAB-002)	103926

Wood pole pair, H-, medium, 14m, Creosote (Dwg I-400W2-FAB-002)	103932
Wood pole pair, H-, medium, 15m, Creosote (Dwg I-400W2-FAB-002)	103938
Wood pole pair, H-, medium, 16m, Creosote (Dwg I-400W2-FAB-002)	103944
Wood pole pair, H-, medium, 17m, Creosote (Dwg I-400W2-FAB-002)	103950
Wood pole pair, H-, medium, 18m, Creosote (Dwg I-400W2-FAB-002)	103956
Wood pole pair, H-, medium, 20m, Creosote (Dwg I-400W2-FAB-002)	103962
Wood pole pair, H-, medium, 22m, Creosote (Dwg I-400W2-FAB-002)	103696
Wood pole pair, H-, stout, 9m, Creosote (Dwg I-400W2-FAB-002)	103903
Wood pole pair, H-, stout, 10m, Creosote (Dwg I-400W2-FAB-002)	103909
Wood pole pair, H-, stout, 11m, Creosote (Dwg I-400W2-FAB-002)	103915
Wood pole pair, H-, stout, 12m, Creosote (Dwg I-400W2-FAB-002)	103921
Wood pole pair, H-, stout, 13m, Creosote (Dwg I-400W2-FAB-002)	103927
Wood pole pair, H-, stout, 14m, Creosote (Dwg I-400W2-FAB-002)	103933
Wood pole pair, H-, stout, 15m, Creosote (Dwg I-400W2-FAB-002)	103939
Wood pole pair, H-, stout, 16m, Creosote (Dwg I-400W2-FAB-002)	103945
Wood pole pair, H-, stout, 17m, Creosote (Dwg I-400W2-FAB-002)	103951
Wood pole pair, H-, stout, 18m, Creosote (Dwg I-400W2-FAB-002)	103957
Wood pole pair, H-, stout, 20m, Creosote (Dwg I-400W2-FAB-002)	103963
Wood pole pair, H-, stout, 22m, Creosote (Dwg I-400W2-FAB-002)	103698
Wood pole pair, H-, stout, 24m, Creosote (Dwg I-400W2-FAB-002)	103699
Wood pole pair, H-, extra stout, 9m, Creosote (Dwg I-400W2-FAB-002)	103700
Wood pole pair, H-, extra stout, 10m, Creosote (Dwg I-400W2-FAB-002)	103701

Wood pole pair, H-, extra stout, 11m, Creosote (Dwg I-400W2-FAB-002)	103702
Wood pole pair, H-, extra stout, 12m, Creosote (Dwg I-400W2-FAB-002)	103703
Wood pole pair, H-, extra stout, 13m, Creosote (Dwg I-400W2-FAB-002)	103704
Wood pole pair, H-, extra stout, 14m, Creosote (Dwg I-400W2-FAB-002)	103705
Wood pole pair, H-, extra stout, 15m, Creosote (Dwg I-400W2-FAB-002)	103706
Wood pole pair, H-, extra stout, 16m, Creosote (Dwg I-400W2-FAB-002)	103707
Wood pole pair, H-, extra stout, 17m, Creosote (Dwg I-400W2-FAB-002)	103708
Wood pole pair, H-, extra stout, 18m, Creosote (Dwg I-400W2-FAB-002)	103709
Wood pole pair, H-, extra stout, 20m, Creosote (Dwg I-400W2-FAB-002)	103710
Wood pole pair, H-, extra stout, 22m, Creosote (Dwg I-400W2-FAB-002)	103711

A4 Wood Poles for 132kV Trident Lines Designed to ENA TS 43-50

APPROVED DESCRIPTION (FOR PURCHASING AND PRODUCT LABELLING)	CC NUMBER
Wood pole, single, stout, 9m, Creosote (Dwg I-400W2-FAB-005)	103713
Wood pole, single, stout, 10m, Creosote (Dwg I-400W2-FAB-005)	103714
Wood pole, single, stout, 11m, Creosote (Dwg I-400W2-FAB-005)	103715
Wood pole, single, stout, 12m, Creosote (Dwg I-400W2-FAB-005)	103716
Wood pole, single, stout, 13m, Creosote (Dwg I-400W2-FAB-005)	103717
Wood pole, single, stout, 14m, Creosote (Dwg I-400W2-FAB-005)	103718
Wood pole, single, stout, 15m, Creosote (Dwg I-400W2-FAB-005)	103719
Wood pole, single, stout, 16m, Creosote (Dwg I-400W2-FAB-005)	103720
Wood pole, single, stout, 17m, Creosote (Dwg I-400W2-FAB-005)	103721
Wood pole, single, stout, 18m, Creosote (Dwg I-400W2-FAB-005)	103722
Wood pole, single, stout, 20m, Creosote (Dwg I-400W2-FAB-005)	103723
Wood pole, single, stout, 22m, Creosote (Dwg I-400W2-FAB-005)	103724
Wood pole, single, stout, 24m, Creosote (Dwg I-400W2-FAB-005)	103725
Wood pole, single, extra stout, 9m, Creosote (Dwg I-400W2-FAB-005)	103726
Wood pole, single, extra stout, 10m, Creosote (Dwg I-400W2-FAB-005)	103727
Wood pole, single, extra stout, 11m, Creosote (Dwg I-400W2-FAB-005)	103728
Wood pole, single, extra stout, 12m, Creosote (Dwg I-400W2-FAB-005)	103729
Wood pole, single, extra stout, 13m, Creosote (Dwg I-400W2-FAB-005)	103730
Wood pole, single, extra stout, 14m, Creosote (Dwg I-400W2-FAB-005)	103731
Wood pole, single, extra stout, 15m, Creosote (Dwg I-400W2-FAB-005)	103732

Wood pole, single, extra stout, 16m, Creosote (Dwg I-400W2-FAB-005)	103733
Wood pole, single, extra stout, 17m, Creosote (Dwg I-400W2-FAB-005)	103734
Wood pole, single, extra stout, 18m, Creosote (Dwg I-400W2-FAB-005)	103735
Wood pole, single, extra stout, 20m, Creosote (Dwg I-400W2-FAB-005)	103736
Wood pole, single, extra stout, 22m, Creosote (Dwg I-400W2-FAB-005)	103737
Wood pole pair, auxiliary, stout, 9m, Creosote (Dwg I-400W2-FAB-006)	103739
Wood pole pair, auxiliary, stout, 10m, Creosote (Dwg I-400W2-FAB-006)	103740
Wood pole pair, auxiliary, stout, 11m, Creosote (Dwg I-400W2-FAB-006)	103741
Wood pole pair, auxiliary, stout, 12m, Creosote (Dwg I-400W2-FAB-006)	103742
Wood pole pair, auxiliary, stout, 13m, Creosote (Dwg I-400W2-FAB-006)	103743
Wood pole pair, auxiliary, stout, 14m, Creosote (Dwg I-400W2-FAB-006)	103744
Wood pole pair, auxiliary, stout, 15m, Creosote (Dwg I-400W2-FAB-006)	103745
Wood pole pair, auxiliary, stout, 16m, Creosote (Dwg I-400W2-FAB-006)	103746
Wood pole pair, auxiliary, stout, 17m, Creosote (Dwg I-400W2-FAB-006)	103747
Wood pole pair, auxiliary, stout, 18m, Creosote (Dwg I-400W2-FAB-006)	103748
Wood pole pair, auxiliary, stout, 20m, Creosote (Dwg I-400W2-FAB-006)	103749
Wood pole pair, auxiliary, stout, 22m, Creosote (Dwg I-400W2-FAB-006)	103750
Wood pole pair, auxiliary, stout, 24m, Creosote (Dwg I-400W2-FAB-006)	103751
Wood pole pair, auxiliary, extra stout, 9m, Creosote (Dwg I-400W2-FAB-006)	103752
Wood pole pair, auxiliary, extra stout, 10m, Creosote (Dwg I-400W2-FAB-006)	103753
Wood pole pair, auxiliary, extra stout, 11m, Creosote (Dwg I-400W2-FAB-006)	103754
Wood pole pair, auxiliary, extra stout, 12m, Creosote (Dwg I-400W2-FAB-006)	103755

Wood pole pair, auxiliary, extra stout, 13m, Creosote (Dwg I-400W2-FAB-006)	103756
Wood pole pair, auxiliary, extra stout, 14m, Creosote (Dwg I-400W2-FAB-006)	103757
Wood pole pair, auxiliary, extra stout, 15m, Creosote (Dwg I-400W2-FAB-006)	103758
Wood pole pair, auxiliary, extra stout, 16m, Creosote (Dwg I-400W2-FAB-006)	103759
Wood pole pair, auxiliary, extra stout, 17m, Creosote (Dwg I-400W2-FAB-006)	103760
Wood pole pair, auxiliary, extra stout, 18m, Creosote (Dwg I-400W2-FAB-006)	103761
Wood pole pair, auxiliary, extra stout, 20m, Creosote (Dwg I-400W2-FAB-006)	103762
Wood pole pair, auxiliary, extra stout, 22m, Creosote (Dwg I-400W2-FAB-006)	103763
Wood pole pair, H-, stout, 9m, Creosote (Dwg I-400W2-FAB-007)	103765
Wood pole pair, H-, stout, 10m, Creosote (Dwg I-400W2-FAB-007)	103766
Wood pole pair, H-, stout, 11m, Creosote (Dwg I-400W2-FAB-007)	103767
Wood pole pair, H-, stout, 12m, Creosote (Dwg I-400W2-FAB-007)	103768
Wood pole pair, H-, stout, 13m, Creosote (Dwg I-400W2-FAB-007)	103769
Wood pole pair, H-, stout, 14m, Creosote (Dwg I-400W2-FAB-007)	103770
Wood pole pair, H-, stout, 15m, Creosote (Dwg I-400W2-FAB-007)	103771
Wood pole pair, H-, stout, 16m, Creosote (Dwg I-400W2-FAB-007)	103772
Wood pole pair, H-, stout, 17m, Creosote (Dwg I-400W2-FAB-007)	103773
Wood pole pair, H-, stout, 18m, Creosote (Dwg I-400W2-FAB-007)	103774
Wood pole pair, H-, stout, 20m, Creosote (Dwg I-400W2-FAB-007)	103775
Wood pole pair, H-, stout, 22m, Creosote (Dwg I-400W2-FAB-007)	103776
Wood pole pair, H-, stout, 24m, Creosote (Dwg I-400W2-FAB-007)	103777
Wood pole pair, H-, extra stout, 9m, Creosote (Dwg I-400W2-FAB-007)	103778

Wood pole pair, H-, extra stout, 10m, Creosote (Dwg I-400W2-FAB-007)	103779
Wood pole pair, H-, extra stout, 11m, Creosote (Dwg I-400W2-FAB-007)	103780
Wood pole pair, H-, extra stout, 12m, Creosote (Dwg I-400W2-FAB-007)	103781
Wood pole pair, H-, extra stout, 13m, Creosote (Dwg I-400W2-FAB-007)	103782
Wood pole pair, H-, extra stout, 14m, Creosote (Dwg I-400W2-FAB-007)	103783
Wood pole pair, H-, extra stout, 15m, Creosote (Dwg I-400W2-FAB-007)	103784
Wood pole pair, H-, extra stout, 16m, Creosote (Dwg I-400W2-FAB-007)	103785
Wood pole pair, H-, extra stout, 17m, Creosote (Dwg I-400W2-FAB-007)	103786
Wood pole pair, H-, extra stout, 18m, Creosote (Dwg I-400W2-FAB-007)	103787
Wood pole pair, H-, extra stout, 20m, Creosote (Dwg I-400W2-FAB-007)	103788
Wood pole pair, H-, extra stout, 22m, Creosote (Dwg I-400W2-FAB-007)	103789
Wood pole pair, H-, stout, 9m, Creosote (Dwg I-400W2-FAB-008)	103791
Wood pole pair, H-, stout, 10m, Creosote (Dwg I-400W2-FAB-008)	103792
Wood pole pair, H-, stout, 11m, Creosote (Dwg I-400W2-FAB-008)	103793
Wood pole pair, H-, stout, 12m, Creosote (Dwg I-400W2-FAB-008)	103794
Wood pole pair, H-, stout, 13m, Creosote (Dwg I-400W2-FAB-008)	103795
Wood pole pair, H-, stout, 14m, Creosote (Dwg I-400W2-FAB-008)	103796
Wood pole pair, H-, stout, 15m, Creosote (Dwg I-400W2-FAB-008)	103797
Wood pole pair, H-, stout, 16m, Creosote (Dwg I-400W2-FAB-008)	103798
Wood pole pair, H-, stout, 17m, Creosote (Dwg I-400W2-FAB-008)	103799
Wood pole pair, H-, stout, 18m, Creosote (Dwg I-400W2-FAB-008)	103800
Wood pole pair, H-, stout, 20m, Creosote (Dwg I-400W2-FAB-008)	103801

Wood pole pair, H-, stout, 22m, Creosote (Dwg I-400W2-FAB-008)	103802
Wood pole pair, H-, stout, 24m, Creosote (Dwg I-400W2-FAB-008)	103803
Wood pole pair, H-, extra stout, 9m (Dwg I-400W2-FAB-008)	103804
Wood pole pair, H-, extra stout, 10m, Creosote (Dwg I-400W2-FAB-008)	103805
Wood pole pair, H-, extra stout, 11m, Creosote (Dwg I-400W2-FAB-008)	103806
Wood pole pair, H-, extra stout, 12m, Creosote (Dwg I-400W2-FAB-008)	103807
Wood pole pair, H-, extra stout, 13m, Creosote (Dwg I-400W2-FAB-008)	103808
Wood pole pair, H-, extra stout, 14m, Creosote (Dwg I-400W2-FAB-008)	103809
Wood pole pair, H-, extra stout, 15m, Creosote (Dwg I-400W2-FAB-008)	103810
Wood pole pair, H-, extra stout, 16m, Creosote (Dwg I-400W2-FAB-008)	103811
Wood pole pair, H-, extra stout, 17m, Creosote (Dwg I-400W2-FAB-008)	103812
Wood pole pair, H-, extra stout, 18m, Creosote (Dwg I-400W2-FAB-008)	103813
Wood pole pair, H-, extra stout, 20m, Creosote (Dwg I-400W2-FAB-008)	103814
Wood pole pair, H-, extra stout, 22m, Creosote (Dwg I-400W2-FAB-008)	103815

Appendix B – Schedule of Wood Poles for Existing Lines (Repair Only and Stub Poles)

B1 Wood Poles for Existing Lines (Repair Only) and Stub Poles

As specified for LV ABC lines designed to ES400O4, but unfabricated (refer to [Appendix A1](#))

Appendix C – Schedule of Wood Pole Plugs

APPROVED DESCRIPTION (FOR PURCHASING AND PRODUCT LABELLING)	CC NUMBER
Wood pole plug 12 x 25 (ENA TS 43-88)	234621
Wood pole plug 20 x 75 (ENA TS 43-88)	234623
Wood pole plug 24 x 75 (ENA TS 43-88)	234624
Wood pole plug 28 x 75 (ENA TS 43-88)	234625

NOTE: Although the dimensions of the above plugs differ from those given in ENA TS 43-88, [Appendix C](#), all other requirements of ENA TS 43-88 for wood pole plugs shall be met. (Plugs shall be pressure creosoted, not metal oxide treated.)

Appendix D – Schedule of Miscellaneous Wooden Items

D1 Foundation Blocks, Brace Blocks and Stay Blocks

APPROVED DESCRIPTION (FOR PURCHASING AND PRODUCT LABELLING)	CC NUMBER	NOTES
Wood block, brace, type 1, 1830mm pole centres, Creosote, (I-400W2-FAB-010)	106585	See Note 1 below.
Wood block, brace, type 2, 2500mm pole centres, Creosote (I-400W2-FAB-010)	105858	See Note 1 below.
Wood block, foundation, large, 2600mm, Creosote (I-400W2-FAB-010)	106562	See Note 1 below.
Wood block, foundation/stay, 1300mm, Creosote (I-400W2-FAB-010)	106569	See Note 1 below.

NOTE: The fabrication and treatment of this item shall meet the requirements of this Specification (ES400W2) and ENA TS 43-91. (Blocks shall be pressure creosoted, not metal oxide treated.)

D2 Wood Struts

APPROVED DESCRIPTION (FOR PURCHASING AND PRODUCT LABELLING)	CC NUMBER
Wood strut, 7.0m, 150mm dia pole top, 205mm dia at 1.5m from butt end, Creosote (Dwg I-400W2-FAB-011)	106260
Wood strut, 7.0m, 160mm dia pole top, 225mm dia at 1.5m from butt end, Creosote (Dwg I-400W2-FAB-011)	106261
Wood strut, 7.0m, 165mm dia pole top, 230mm dia at 1.5m from butt end, Creosote (Dwg I-400W2-FAB-011)	106262
Wood strut, 7.0m, 175mm dia pole top, 240mm dia at 1.5m from butt end, Creosote (Dwg I-400W2-FAB-011)	106263
Wood strut, 7.5m, 150mm dia pole top, 205mm dia at 1.5m from butt end, Creosote (Dwg I-400W2-FAB-011)	106264
Wood strut, 7.5m, 160mm dia pole top, 230mm dia at 1.5m from butt end, Creosote (Dwg I-400W2-FAB-011)	106265
Wood strut, 7.5m, 165mm dia pole top, 235mm dia at 1.5m from butt end, Creosote (Dwg I-400W2-FAB-011)	106266
Wood strut, 7.5m, 175mm dia pole top, 245mm dia at 1.5m from butt end, Creosote (Dwg I-400W2-FAB-011)	106267
Wood strut, 8.0m, 150mm dia pole top, 210mm dia at 1.5m from butt end, Creosote (Dwg I-400W2-FAB-011)	106268
Wood strut, 8.0m, 160mm dia pole top, 235mm dia at 1.5m from butt end, Creosote (Dwg I-400W2-FAB-011)	106269
Wood strut, 8.0m, 165mm dia pole top, 240mm dia at 1.5m from butt end, Creosote (Dwg I-400W2-FAB-011)	106270
Wood strut, 8.0m, 175mm dia pole top, 250mm dia at 1.5m from butt end, Creosote (Dwg I-400W2-FAB-011)	106271
Wood strut, 8.5m, 150mm dia pole top, 210mm dia at 1.5m from butt end, Creosote (Dwg I-400W2-FAB-011)	106272

Wood strut, 8.5m, 160mm dia pole top, 240mm dia at 1.5m from butt end, Creosote (Dwg I-400W2-FAB-011)

106273

Wood strut, 8.5m, 165mm dia pole top, 245mm dia at 1.5m from butt end, Creosote (Dwg I-400W2-FAB-011)

106274

Wood strut, 8.5m, 175mm dia pole top, 255mm dia at 1.5m from butt end, Creosote (Dwg I-400W2-FAB-011)

106275

Appendix E – Conformance Declaration

SECTION-BY-SECTION CONFORMANCE WITH SPECIFICATION

The Tenderer shall declare conformance or otherwise for each product/service or range of products/services, section-by-section, using the following Conformance Declaration Codes.

Conformance Declaration Codes:

N/A =	Clause is not applicable/appropriate to the product/service.
C1 =	The product/service conforms fully with the requirements of this clause.
C2 =	The product/service conforms partially with the requirements of this clause.
C3 =	The product/service does not conform to the requirements of this clause.
C4 =	The product/service does not currently conform to the requirements of this clause, but the manufacturer proposes to modify and test the product in order to conform.

Manufacturer:

Product/Service Description:

Product/Service Reference:

Name:

Company:

Signature:

SECTION-BY-SECTION CONFORMANCE

Section	Section Topic	Conformance Declaration Code	Remarks * (must be completed if code is not C1)
4.1	Product not to be Changed		
4.2	Electricity North West Technical Approval		
4.3	Quality Assurance		
4.4	Formulation		
4.5	Identification Markings		
4.6	Minimum Life Expectancy		
4.7	Product Conformity		
4.8	Confirmation of Conformance		
5.1	Requirements for Type Tests at the Supplier's Premises		
5.2	Requirement for Routine Tests at the Supplier's Premises		
5.3	Requirement for On-Site Tests		
6.1	General		
6.2.1	General		
6.2.2	ENA TS 43-88, Clause 4.1: Selection of trees; Species for poles		

6.2.3	ENA TS 43-88, Clause 5.3: Requirements; General requirements; Size		
6.2.4	ENA TS 43-88, Clause 9: Fabrication		
6.2.5	ENA TS 43-88, Clause 8: Marking		
6.2.6	ENA TS 43-88, Clause 11: Preservative treatment (water soluble preservatives)		
6.3.1	Anti-Split Bolts		
6.4.1	Foundation Blocks, Brace Blocks and Stay Blocks		
6.4.2	Wood Struts		

* Applicable specifications shall be stated in the Remarks column where alternatives are quoted within a section. The Remarks column shall also be used to indicate cases where the products or services exceed the quoted specifications.

Additional Notes: