



Electricity North West Limited

Use of System Charging Statement

NOTICE OF CHARGES

Effective from 1st April 2018

Version 1.3

This Statement has been revised in February 2018 for the Supplier of Last Resort Payment Claim from Co-operative Energy Ltd

Version Control

Version	Date	Description of version and any changes made
V1.0	19 December 2016	Final charges effective from 1 April 2018.
V1.1	12 April 2017	Changes to EDCM charges as per Annex 6.
V1.2	1 February 2018	Update for Final LLFs and EDCM charges as per Annex 6.
V1.3	9 February 2018	Supplier of Last Resort increases to the Fixed Charges for the Domestic Unrestricted, Domestic Two Rate and LV Domestic Network tariffs (Annex 1). The increase for each of these tariffs is 0.08p/MPAN/day. No other tariffs affected by this change.

A change-marked version of this statement can be provided upon request.

Contents

1. Introduction	4
Validity period	5
Contact details	5
Supercustomer billing and payment	7
Site-specific billing and payment	9
Application of capacity charges	11
Application of charges for excess reactive power	14
Incorrectly allocated charges	16
Generation charges for pre-2005 designated EHV properties	17
Provision of billing data	18
Out of area use of system charges	19
Licensed distribution network operator charges	19
Licence exempt distribution networks	19
3. Schedule of charges for use of the distribution system	22
4. Schedule of line loss factors	23
Role of line loss factors in the supply of electricity	23
Calculation of line loss factors	23
Publication of line loss factors	24
5. Notes for Designated EHV Properties	25
EDCM LRIC nodal costs	25
Charges for new Designated EHV Properties	25
Charges for amended Designated EHV Properties	25
Demand-side management	25
6. Electricity distribution rebates	27
7. Accounting and administration services	27
8. Charges for electrical plant provided ancillary to the grant of use of system	27
Appendix 1 - Glossary	28
Appendix 2 - Guidance notes	35
Background	35
Meter point administration	35
Your charges	37
Reducing your charges	37
Reactive power and reactive power charges	38
Site-specific EDCM charges	38
Annex 1 - Schedule of charges for use of the distribution system by LV and HV Designated Properties	41
Annex 2 - Schedule of charges for use of the distribution system by Designated EHV Properties (including LDNOs with Designated EHV Properties/end-users)	42
Annex 3 - Schedule of charges for use of the distribution system by preserved/additional LLF classes	45
Annex 4 - Charges applied to LDNOs with LV and HV end-users	46
Annex 5 - Schedule of line loss factors	51
Annex 6 - Addendum to charging statement detailing charges for new Designated EHV Properties	57

1. Introduction

- 1.1. This statement tells you about our charges and the reasons behind them. It has been prepared consistent with Standard Licence Condition 14 of our Electricity Distribution Licence. The main purpose of this statement is to provide our schedule of charges¹ for the use of our Distribution System and to provide the schedule of adjustment factors² that should be applied in Settlement to account for losses from the Distribution System. We have also included guidance notes in Appendix 2 to help improve your understanding of the charges we apply.
- 1.2. Within this statement we use terms such as 'Users' and 'Customers' as well as other terms which are identified with initial capitalisation. These terms are defined in the glossary.
- 1.3. The charges in this statement are calculated using the Common Distribution Charging Methodology (CDCM) for Low Voltage and High Voltage (LV and HV) Designated Properties and the Extra High Voltage (EHV) Distribution Charging Methodology (EDCM) for Designated EHV Properties.
- 1.4. Separate charges are calculated depending on the characteristics of the connection and whether the use of the Distribution System is for demand or generation purposes. Where a generation connection is seen to support the Distribution System the charges will be negative and the Supplier will receive credits for exported energy.
- 1.5. The application of charges to premises can usually be referenced using the Line Loss Factor Class (LLFC) contained in the charge tables. Further information on how to identify and calculate the charge that will apply for your premises is provided in the guidance notes in Appendix 2.
- 1.6. All charges in this statement are shown **exclusive** of VAT. Invoices will include VAT at the applicable rate.
- 1.7. The annexes that form part of this statement are also available in spreadsheet format. This spreadsheet contains supplementary information used for charging purposes and a simple model to assist you to calculate charges. This spreadsheet can be downloaded from <http://www.enwl.co.uk/our-services/use-of-system-charges> .

¹ Charges can be positive or negative.

² Also known as Loss Adjustment Factors or Line Loss Factors.

Validity period

- 1.8. This charging statement is valid for services provided from the effective date stated on the front of the statement and remains valid until updated by a revised version or superseded by a statement with a later effective date.
- 1.9. When using this charging statement, care should be taken to ensure that the statement or statements covering the period that is of interest are used.
- 1.10. Notice of any revision to the statement will be provided to Users of our Distribution System. The latest statements can be downloaded from <http://www.enwl.co.uk/our-services/use-of-system-charges> .

Contact details

- 1.11. If you have any questions about this statement please contact us at this address:

Charging Manager
Electricity North West
304 Bridgewater Place
Birchwood Park
Warrington
WA3 6XG
Email: electricitycommercialpolicy@enwl.co.uk
Telephone: 0843 311 4323

- 1.12. All enquiries regarding connection agreements and changes to maximum capacities should be addressed to:

Data Assurance Manager
Electricity North West
Hartington Road
Preston
PR1 8LE
Email: terms&conditions@enwl.co.uk
Telephone: 0843 311 4503

- 1.13. For all other queries please contact our Customer Contact Centre:

Electricity North West
PO Box 218

Warrington

WA3 6XG

Email: enquiries@enwl.co.uk

Telephone: 0800 195 4141; lines are open 24 hours, 365 days per year.

1.14. You can also find us on Facebook and Twitter at.

<https://www.facebook.com/ElectricityNorthWest>

<https://twitter.com/ElectricityNW>

2. Charge application and definitions

- 2.1. The following section details how the charges in this statement are applied and billed to Users of our Distribution System.
- 2.2. We utilise two billing approaches depending on the type of metering data received. The 'Supercustomer' approach is used for Non-Half Hourly (NHH) metered, NHH unmetered, Half Hourly (HH) metered premises with whole current metering systems and all domestic premises. The 'Site-specific' approach is used for non-domestic Current Transformer (CT) metered premises or pseudo HH unmetered premises.
- 2.3. Typically, NHH metered or HH metered premises with whole current Metering Systems are domestic and small businesses; Premises with non-domestic CT Metering Systems are generally larger businesses or industrial sites; and unmetered premises are normally streetlights.

Supercustomer billing and payment

- 2.4. Supercustomer billing and payment applies to Meter Point Administration Number (MPAN)s registered as NHH metered, NHH unmetered or aggregated HH metered. The Supercustomer approach makes use of aggregated data obtained from Suppliers using the 'Non Half Hourly Distribution Use of System (DUoS) Report' data flow.
- 2.5. Invoices are calculated on a periodic basis and sent to each User for whom we transport electricity through our Distribution System. Invoices are reconciled over a period of approximately 14 months to reflect later and more accurate consumption figures.
- 2.6. The charges are applied on the basis of the LLFC assigned to the MPAN, and the units consumed within the time periods specified in this statement. These time periods may not necessarily be the same as those indicated by the Time Pattern Regimes (TPRs) assigned to the Standard Settlement Configuration (SSC. All LLFCs are assigned at our sole discretion, based on the tariff application rules set out in the appropriate charging methodology or elsewhere in this statement. Please refer to the section 'Incorrectly allocated charges' on page 16 if you believe the allocated LLFC or tariff is incorrect

Supercustomer charges

- 2.7. Supercustomer charges include the following components:

- a fixed charge, pence/MPAN/day; there will only be one fixed charge applied to each MPAN; and
 - unit charges, pence/kWh; more than one unit charge may apply depending on the type of tariff for which the MPAN is registered.
- 2.8. Users who supply electricity to a Customer whose MPAN is registered as Measurement Class A, B, F or G will be allocated the relevant charge structure set out in Annex 1.
- 2.9. Measurement Class A charges apply to Exit/Entry Points where NHH metering is used for Settlement.
- 2.10. Measurement Class B charges apply to Exit Points deemed to be suitable as Unmetered Supplies as permitted in the Electricity (Unmetered Supply) Regulations 2001³ and where operated in accordance with Balancing and Settlement Code (BSC) procedure 520⁴.
- 2.11. Measurement Class F charges apply to Exit/Entry points at domestic premises where HH metering is used for Settlement.
- 2.12. Measurement Class G charges apply to Exit/Entry points at non-domestic premises with whole current metering systems where HH metering is used for Settlement.
- 2.13. Identification of the appropriate charge can be made by cross-reference to the LLFC.
- 2.14. Valid Settlement PC/SSC/Meter Timeswitch Code (MTC) combinations for LLFCs where the Metering System is Measurement Class A and B are detailed in Market Domain Data (MDD).
- 2.15. Where an MPAN has an invalid Settlement combination, the 'Domestic Unrestricted' fixed and unit charges will be applied as default until the invalid combination is corrected. Where there are multiple SSC/TPR combinations, the default 'Domestic Unrestricted' fixed and unit charges will be applied for each invalid SSC/TPR combination.

³ The Electricity (Unmetered Supply) Regulations 2001 available from <http://www.legislation.gov.uk/uksi/2001/3263/made>

⁴ Balancing and Settlement Code Procedures on unmetered supplies are available from <https://www.elexon.co.uk/bsc-related-documents/related-documents/bscps/>

- 2.16. The time periods for unit charges where the Metering System is Measurement Class A and B are as specified by the SSC. To determine the appropriate charge rate for each SSC/TPR a lookup table is provided in the spreadsheet that accompanies this statement⁵.
- 2.17. The time periods for unit charges where the Metering System is Measurement Class F and G are set out in the table 'Time Bands for Half Hourly Metered Properties' in Annex 1.
- 2.18. The 'Domestic Off-Peak' and 'Small Non-Domestic Off-Peak' charges are additional to either an unrestricted or a two-rate charge.

Site-specific billing and payment

- 2.19. Site-specific billing and payment applies to Measurement Class C, D and E Metering Systems. The site-specific billing and payment approach to Use of System (UoS) billing makes use of HH metering data at premises level received through Settlement.
- 2.20. Invoices are calculated on a periodic basis and sent to each User for whom we transport electricity through our Distribution System. Where an account is based on estimated data, the account shall be subject to any adjustment that may be necessary following the receipt of actual data from the User.
- 2.21. The charges are applied on the basis of the LLFCs assigned to the MPAN (or the Metering System Identifier (MSID) for Central Volume Allocation (CVA) sites), and the units consumed within the time periods specified in this statement. Where MPANs have not been associated, for example when multiple points of connection fed from different sources are used for a single site, the relevant number of fixed charges will be applied.
- 2.22. All LLFCs are assigned at our sole discretion, based on the tariff application rules set out in the appropriate charging methodology or elsewhere in this statement. Please refer to the section 'Incorrectly allocated charges' on page 16 if you believe the allocated LLFC or tariff is incorrect. Where an incorrectly applied LLFC is identified, we may at our sole discretion apply the correct LLFC and/or charges.

⁵ [DNO name] - Schedule of charges and other tables – Version[X].xlsx

Site-specific billed charges

2.23. Site-specific billed charges may include the following components:

- a fixed charge, pence/MPAN/day or pence/MSID/day;
 - a capacity charge, pence/kVA/day, for Maximum Import Capacity (MIC) and/or Maximum Export Capacity (MEC);
 - an excess capacity charge, pence/kVA/day, if a site exceeds its MIC and/or MEC;
 - unit charges, pence/kWh, more than one unit charge may be applied;
- and
- an excess reactive power charge, pence/kVAh, for each unit in excess of the reactive charge threshold.

2.24. Users who wish to supply electricity to Customers whose Metering System is Measurement Class C, D or E or is settled via CVA will be allocated the relevant charge structure dependent upon the voltage and location of the Metering Point.

2.25. Measurement Class C, E or CVA charges apply to Exit/Entry Points where HH metering data is used for Settlement purposes for non-domestic sites that have CT metering..

2.26. Measurement Class D charges apply to Exit Points deemed to be suitable as Unmetered Supplies as permitted in the Electricity (Unmetered Supply) Regulations 2001⁶ and where operated in accordance with BSC procedure 520⁷.

2.27. Fixed charges are generally levied on a pence per MPAN/MSID per day basis. Where two or more HH MPANs/MSIDs are located at the same point of connection (as identified in the Connection Agreement), with the same LLFC, and registered to the same Supplier, only one daily fixed charge will be applied.

2.28. LV and HV Designated Properties will be charged in accordance with the CDCM and allocated the relevant charge structure set out in Annex 1.

⁶ The Electricity (Unmetered Supply) Regulations 2001 available from <http://www.legislation.gov.uk/uksi/2001/3263/made>

⁷ Balancing and Settlement Code Procedures on unmetered supplies and available from <https://www.elexon.co.uk/bsc-related-documents/related-documents/bscps/>

- 2.29. LV and HV Designated Properties which utilise a combination of Intermittent or Non-Intermittent generation technologies metered through a single MPAN/MSID will be allocated the Non-Intermittent generation tariff unless the combined installed capacity, as evidenced in ratings contained in the Connection Agreement, for Intermittent generation technologies is higher than the combined installed capacity for Non-Intermittent generation technologies, in which case the Intermittent generation tariff will be allocated.
- 2.30. Designated EHV Properties will be charged in accordance with the EDCM and allocated the relevant charge structure set out in Annex 2.
- 2.31. Where LV and HV Designated Properties or Designated EHV Properties have more than one point of connection (as identified in the Connection Agreement) then separate charges will be applied to each point of connection.
- 2.32. Due to the seasonal nature of charges for Unmetered Supplies, changes between Measurement Classes B and D (or vice versa) shall not be agreed except with effect from 1 April in any charging year.

Time periods for half hourly metered properties

- 2.33. The time periods for the application of unit charges to LV and HV Designated Properties that are HH metered are detailed in Annex 1. We have not issued a notice to change the time bands.
- 2.34. The time periods for the application of unit charges to Designated EHV Properties are detailed in Annex 2. We have not issued a notice to change the time bands.

Time periods for pseudo half hourly unmetered properties

- 2.35. The time periods for the application of unit charges to Unmetered Supply Exit Points that are pseudo HH metered are detailed in Annex 1. We have not issued a notice to change the time bands.

Application of capacity charges

- 2.36. The following sections explain the application of capacity charges and exceeded capacity charges.

Chargeable capacity

- 2.37. The chargeable capacity is, for each billing period, the MIC/MEC, as detailed below.

- 2.38. The MIC/MEC will be agreed with us at the time of connection or pursuant to a later change in requirements. Following such an agreement (be it at the time of connection or later) no reduction in MIC/MEC will be allowed for a 12 month period.
- 2.39. Reductions to the MIC and/or MEC may only be permitted once in a 12 month period. Where the MIC and/or MEC is reduced the new lower level will be agreed with reference to the level of the Customer's maximum demand. The new MIC and/or MEC will be applied from the start of the next billing period after the date that the request was received. It should be noted that, where a new lower level is agreed, the original capacity may not be available in the future without the need for network reinforcement and associated charges.
- 2.40. In the absence of an agreement, the chargeable capacity, save for error or omission, will be based on the last MIC and/or MEC previously agreed by the distributor for the relevant premises' connection. A Customer can seek to agree or vary the MIC and/or MEC by contacting us using the contact details in section 0.

Exceeded capacity

- 2.41. Where a Customer takes additional unauthorised capacity over and above the MIC/MEC, the excess will be classed as exceeded capacity. The exceeded portion of the capacity will be charged at the excess capacity charge p/kVA/day rate, based on the difference between the MIC/MEC and the actual capacity used. This will be charged for the full duration of the billing period in which the breach occurs.

Demand exceeded capacity

$$\text{Demandexceeded capacity} = \max(2 \times \sqrt{AI^2 + \max(RI, RE)^2} - MIC, 0)$$

Where:

AI = Active import (kWh)

RI = Reactive import (kVArh)

RE = Reactive export (kVArh)

MIC = Maximum import capacity (kVA)

- 2.42. Only reactive import and reactive export values occurring at times of active import are used in the calculation. Where data for two or more MPANs is

aggregated for billing purposes the HH consumption values are summated prior to the calculation above. For sites which are importing and exporting in the same HH, i.e. where active import is not equal to zero and active export is not equal to zero, use zero for reactive import and reactive export when calculating capacity taken.

- 2.43. This calculation is completed for every half hour and the maximum value from the billing period is applied.

Generation exceeded capacity

$$\text{Generation exceeded capacity} = \max(2 \times \sqrt{AE^2 + \max(RI, RE)^2} - MEC, 0)$$

Where:

AE = Active export (kWh)

RI = Reactive import (kVArh)

RE = Reactive export (kVArh)

MEC = Maximum export capacity (kVA)

- 2.44. Only reactive import and reactive export values occurring at times of active export are used in the calculation. Where data for two or more MPANs is aggregated for billing purposes the HH consumption values occurring at times of kWh export are summated prior to the calculation above. For sites which are importing and exporting in the same HH, i.e. where active import is not equal to zero and active export is not equal to zero, use zero for reactive import and reactive export when calculating capacity taken.
- 2.45. This calculation is completed for every half hour and the maximum value from the billing period is applied.

Standby capacity for additional security on site

- 2.46. Where standby capacity charges are applied, the charge will be set at the same rate as that applied to normal MIC. Should a Customer's request for additional security of supply require the provision of capacity from two different sources, we reserve the right to charge for the capacity held at each source.

Minimum capacity levels

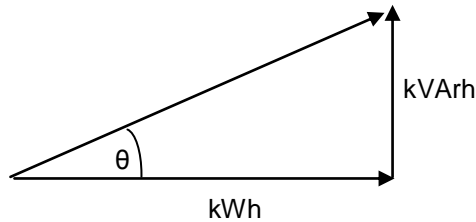
- 2.47. There is no minimum capacity threshold.

Application of charges for excess reactive power

2.48. When an individual HH metered MPAN's reactive power (measured in kVArh) at LV and HV Designated Properties exceeds 33% of its total active power (measured in kWh), excess reactive power charges will apply. This threshold is equivalent to an average power factor of 0.95 during the period. Any reactive units in excess of the 33% threshold are charged at the rate appropriate to the particular charge.

2.49. Power Factor is calculated as follows:

$\cos \theta = \text{Power Factor}$



2.50. The chargeable reactive power is calculated as follows:

Demand chargeable reactive power

$$\text{DemandchargeablekVArh} = \max \left(\max(RI, RE) - \left(\sqrt{\left(\frac{1}{0.95^2} - 1 \right)} \times AI \right), 0 \right)$$

Where:

AI = Active import (kWh)

RI = Reactive import (kVArh)

RE = Reactive export (kVArh)

2.51. Only reactive import and reactive export values occurring at times of active import are used in the calculation. Where data for two or more MPANs is aggregated for billing purposes the HH consumption values are summated prior to the calculation above. For sites which are importing and exporting in the same HH i.e. where active import is not equal to zero and active export is not equal to zero, no calculation for that HH is made and the result for that HH would be zero.

2.52. The square root calculation will be to two decimal places.

2.53. This calculation is completed for every half hour and the values summated over the billing period.

Generation chargeable reactive power

$$\text{GenerationchargeablekVArh} = \max \left(\max(RI, RE) - \left(\sqrt{\left(\frac{1}{0.95^2} - 1 \right)} \times AE \right), 0 \right)$$

Where:

AE = Active export (kWh)

RI = Reactive import (kVARh)

RE = Reactive export (kVARh)

- 2.54. Only reactive import and reactive export values occurring at times of active export are used in the calculation. Where data for two or more MPANs is aggregated for billing purposes the HH consumption values are summated prior to the calculation above. For sites which are importing and exporting in the same HH i.e. where active import is not equal to zero and active export is not equal to zero, no calculation for that HH is made and the result for that HH would be zero.
- 2.55. The square root calculation will be to two decimal places.
- 2.56. This calculation is completed for every half hour and the values summated over the billing period.

Incorrectly allocated charges

- 2.57. It is our responsibility to apply the correct charges to each MPAN/MSID. The allocation of charges is based on the voltage of connection, import/export details, metering information and, for some tariffs, the metering location. Where an MPAN/MSID is used for export purposes, the type of generation (intermittent or non-intermittent) also determines the allocation of charges.
- 2.58. We are responsible for deciding the voltage of connection. Generally, this is determined by where the metering is located and where responsibility for the electrical equipment transfers from us to the connected Customer.
- 2.59. The Supplier determines and provides us with the metering information and data. This enables us to allocate charges where there is more than one charge per voltage level. The metering information and data is likely to change over time if, for example, a Supplier changes from a two rate meter to a single rate meter. When we are notified this has happened we will change the allocation of charges accordingly.
- 2.60. If it has been identified that a charge may have been incorrectly allocated due to the metering information and/or data then a request for investigation should be made to the Supplier.

- 2.61. Where it has been identified that a charge may have been incorrectly allocated due to the voltage of connection, import/export details or metering location then a request to investigate the applicable charges should be made to us. Requests from persons other than the Customer or the current Supplier must be accompanied by a Letter of Authority from the Customer; the current Supplier must also acknowledge that they are aware a request has been made. Any request must be supported by an explanation of why it is believed that the current charge should be changed, along with supporting information including, where appropriate, photographs of metering positions or system diagrams. Any request to change the current charge that also includes a request for backdating must include justification as to why it is considered appropriate to backdate the change.
- 2.62. An administration charge (covering our reasonable costs) may be made if a technical assessment or site visit is required, but we will not apply any charge where we agree to the change request.
- 2.63. Where we agree that the current LLFC/charge should be changed, then we will allocate the appropriate set of charges for the connection. Any adjustment will be applied from the date of the request, back to the date of the incorrect allocation or; up to the maximum period specified by [the Limitation Act (1980) in England and Wales, which covers a six year period from the date of request, and the Prescription and Limitation (Scotland) Act 1973, which covers a five year period from the date of request]; whichever is the shorter.
- 2.64. Any credit or additional charge will be issued to the relevant Supplier(s) who were effective during the period of the change.
- 2.65. Should we reject the request a justification will be provided to the requesting party. We shall not unreasonably withhold or delay any decision on a request to change the charges applied and would expect to confirm our position on the request within three months from the date of request.

Generation charges for pre-2005 designated EHV properties

- 2.66. Designated EHV Properties that were connected to the Distribution System under a pre-2005 connection charging policy are eligible for exemption from UoS charges for generation unless one of the following criteria has been met:

- 25 years have passed since their first energisation/connection date (i.e. Designated EHV Properties with Connection Agreements dated prior to 1st April 2005, and for which 25 years has passed since their first energisation/connection date will receive use of system charges for generation from the next charging year following the expiry of their 25 years exemption, (starting 1st April), or
- the person responsible for the Designated EHV Property has provided notice to us that they wish to opt in to UoS charges for generation.

If a notice to opt in has been provided there will be no further opportunity to opt out.

2.67. Furthermore, if an exempt Customer makes an alteration to its export requirement then the Customer may be eligible to be charged for the additional capacity required or energy imported or exported. For example, where a generator increases its export capacity the incremental increase in export capacity will attract UoS charges as with other non-exempt generators.

Provision of billing data

2.68. Where HH metering data is required for UoS charging and this is not provided in accordance with the BSC or the Distribution Connection and Use of System Agreement (DCUSA), such metering data shall be provided to us by the User of the system in respect of each calendar month within five working days of the end of that calendar month.

2.69. The metering data shall identify the amount of energy conveyed across the Metering System in each half hour of each day and shall separately identify active and reactive import and export. Metering data provided to us shall be consistent with that received through the metering equipment installed.

2.70. Metering data shall be provided in an electronic format specified by us from time to time and, in the absence of such specification, metering data shall be provided in a comma-separated text file in the format of Master Registration Agreement (MRA) data flow D0275⁸ (as agreed with us). The data shall be emailed to DUOS.Billing@enwl.co.uk.

⁸ MRA Data Transfer Catalogue available from <https://dtc.mrasco.com/>

2.71. We require details of reactive power imported or exported to be provided for all Measurement Class C and E sites. It is also required for CVA sites and Exempt Distribution Network boundaries with difference metering. We reserve the right to levy a charge on Users who fail to provide such reactive data. In order to estimate missing reactive data, a power factor of 0.9 lag will be applied to the active consumption in any half hour.

Out of area use of system charges

2.72. We do not operate networks outside our Distribution Services Area.

Licensed distribution network operator charges

2.73. Licensed Distribution Network Operator (LDNO) charges are applied to LDNOs who operate Embedded Networks within our Distribution Services Area.

2.74. The charge structure for LV and HV Designated Properties embedded in networks operated by LDNOs will mirror the structure of the All-the-way Charge and is dependent upon the voltage of connection of each embedded network to the host DNO's network. The same charge elements will apply as those that match the LDNO's end Customer charges. The relevant charge structures are set out in Annex 4.

2.75. Where a NHH metered MPAN has an invalid Settlement combination, the 'LDNO HV: Domestic Unrestricted' fixed and unit charges will be applied as default until the invalid combination is corrected. Where there are multiple SSC/TPR combinations, the default 'LDNO HV: Domestic Unrestricted' fixed and unit charges will be applied for each invalid SSC/TPR combination.

2.76. The charge structure for Designated EHV Properties embedded in networks operated by LDNOs will be calculated individually using the EDCM. The relevant charge structures are set out in Annex 2.

2.77. For Nested Networks the relevant charging principles set out in DCUSA Schedule 21⁹ will apply.

Licence exempt distribution networks

2.78. The Electricity and Gas (Internal Market) Regulations 2011¹⁰ introduced new obligations on owners of licence exempt distribution networks (sometimes

⁹ The Distribution and Connection Use of System Agreement (DCUSA) available from <http://www.dcusa.co.uk/SitePages/Documents/DCUSA-Document.aspx>

¹⁰ The Electricity and Gas (Internal Market) Regulations 2011 available from <http://www.legislation.gov.uk/uksi/2011/2704/contents/made>

called private networks) including a duty to facilitate access to electricity and gas suppliers for Customers within those networks.

- 2.79. When Customers (both domestic and commercial) are located within a licence exempt distribution network and require the ability to choose their own Supplier this is called 'third party access'. These embedded Customers will require an MPAN so that they can have their electricity supplied by a Supplier of their choice.
- 2.80. Licence exempt distribution networks owners can provide third party access using either full settlement metering or the difference metering approach.

Full settlement metering

- 2.81. This is where a licence exempt distribution network is set up so that each embedded installation has an MPAN and Metering System and therefore all Customers purchase electricity from their chosen Supplier. In this case there are no Settlement Metering Systems at the boundary between the licensed Distribution System and the exempt distribution network.
- 2.82. In this approach our UoS charges will be applied to each MPAN.

Difference metering

- 2.83. This is where one or more, but not all, Customers on a licence exempt distribution network choose their own Supplier for electricity supply to their premises. Under this approach the Customers requiring third party access on the exempt distribution network will have their own MPAN and must have a HH Metering System.

Net settlement

- 2.84. Where one of our MPANs ([provide details of MPAN prefix relevant to DNO's licence]) is embedded within a licence exempt distribution network connected to one of our Distribution Systems, and difference metering is in place for Settlement purposes, and we do **not** receive gross measurement data for the boundary MPAN, we will charge the boundary MPAN Supplier based on the net measurement for use of our Distribution System. Charges will also be levied directly to the Supplier of the embedded MPAN(s) connected within the licence exempt distribution network based on the actual data received.
- 2.85. The charges applicable for the embedded MPANs are unit charges only. These will be the same values as those at the voltage of connection to the licence

exempt distribution network and are shown in Annex n. The fixed charge and capacity charge, at the agreed MIC/MEC of the boundary MPAN, will be charged to the boundary MPAN Supplier.

3. Schedule of charges for use of the distribution system

- 3.1. Tables listing the charges for use of our Distribution System are published in the annexes to this document.
- 3.2. These charges are also listed in a spreadsheet which is published with this statement and can be downloaded from <http://www.enwl.co.uk/our-services/use-of-system-charges>.
- 3.3. Annex 1 contains charges applied to LV and HV Designated Properties.
- 3.4. Annex 2 contains the charges applied to our Designated EHV Properties and charges applied to LDNOs for Designated EHV Properties connected within their embedded Distribution System.
- 3.5. Annex 3 contains details of any preserved and additional charges that are valid at this time. Preserved charges are mapped to an appropriate charge and are closed to new Customers.
- 3.6. Annex 4 contains the charges applied to LDNOs in respect of LV and HV Designated Properties connected in their embedded Distribution System.

4. Schedule of line loss factors

Role of line loss factors in the supply of electricity

- 4.1. Electricity entering or exiting our Distribution System is adjusted to take account of energy that is lost¹¹ as it is distributed through the network. This adjustment does not affect distribution charges but is used in energy settlement to take metered consumption to a notional grid supply point so that Suppliers' purchases take account of the energy lost on the Distribution System.
- 4.2. We are responsible for calculating the Line Loss Factors¹² (LLFs) and providing these to Elexon. Elexon is the company that manages the BSC. This code covers the governance and rules for the balancing and settlement arrangements.
- 4.3. LLFs are used to adjust the Metering System volumes to take account of losses on the Distribution System.

Calculation of line loss factors

- 4.4. LLFs are calculated in accordance with BSC procedure 128. BSCP128 sets out the procedure and principles with which our LLF methodology must comply. It also defines the procedure and timetable by which LLFs are reviewed and submitted.
- 4.5. LLFs are calculated for a set number of time periods during the year using either a generic or site-specific method. The generic method is used for sites connected at LV or HV and the site-specific method is used for sites connected at EHV or where a request for site-specific LLFs has been agreed. Generic LLFs will be applied as a default to all new EHV sites until sufficient data is available for a site-specific calculation.
- 4.6. The definition of EHV used for LLF purposes differs from the definition used for defining Designated EHV Properties in the EDCM. The definition used for LLF purposes can be found in our LLF methodology.

¹¹ Energy can be lost for technical and non-technical reasons and losses normally occur by heat dissipation through power flowing in conductors and transformers. Losses can also reduce if a customer's action reduces power flowing in the distribution network. This might happen when a customer generates electricity and the produced energy is consumed locally.

¹² Also referred to as Loss Adjustment Factors.

- 4.7. The Elexon website <http://www.elexon.co.uk/reference/technical-operations/losses/> contains more information on LLFs. This page also has links to BSCP128 and to our LLF methodology.

Publication of line loss factors

- 4.8. The LLFs used in Settlement are published on the Elexon portal website, www.elexonportal.co.uk. The website contains the LLFs in standard industry data formats and in a summary form. A user guide with details on registering and using the portal is also available.
- 4.9. The BSCP128 sets out the timetable by which LLFs are submitted and audited. The submission and audit occurs between September and December in the year prior to the LLFs becoming effective. Only after the completion of the audit at the end of December and BSC approval are the final LLFs published.
- 4.10. Illustrative LLFs based on the latest submitted LLFs are provided in Annex 5 of this statement. These illustrative LLFs are provided with reference to the metered voltage or associated LLFC for generic LLFs and by reference to the LLFCs for site-specific LLFs. Each LLF is applicable to a defined time period.
- 4.11. As this charging statement is published a complete year before the LLFs have been published it is important to note that the LLFs provided in this statement are for illustration only and may be revised during the BSCP128 process.
- 4.12. When using the tables in Annex 5, reference should be made to the LLFC allocated to the MPAN to find the appropriate values.

5. Notes for Designated EHV Properties

EDCM LRIC nodal costs

- 5.1. A table is provided in the accompanying spreadsheet which shows the underlying LRIC nodal costs used to calculate the current EDCM charges. This spreadsheet is available to download from our website: <http://www.enwl.co.uk/our-services/use-of-system-charges>.
- 5.2. These are illustrative of the modelled costs at the time that this statement was published. A new connection will result in changes to current network utilisations, which will then form the basis of future prices. The charge determined in this statement will not necessarily be the charge in subsequent years because of the interaction between new and existing network connections and any other changes made to our Distribution System which may affect charges.

Charges for new Designated EHV Properties

- 5.3. Charges for any new Designated EHV Properties calculated after publication of the current statement will be published on our website in an addendum to that statement as and when necessary. The addendum will include charge information of the type found in Annex 2, and LLFs as found in Annex 5.
- 5.4. The form of the addendum is detailed in Annex 6 to this statement.
- 5.5. The addendum will also be sent to all relevant DCUSA parties (i.e. the registered Supplier) and where requested the Customer.
- 5.6. The new Designated EHV Properties' charges will be added to Annex 2 in the next full statement released.

Charges for amended Designated EHV Properties

- 5.7. Where an existing Designated EHV Property is modified and energised in the charging year, we may revise the EDCM charges for the modified Designated EHV Property. If revised charges are appropriate, an addendum will be sent to all relevant parties and published as a revised 'Schedule of Charges and Other Tables' spreadsheet on our website. The modified Designated EHV Property charges will be added to Annex 2 in the next full statement released.

Demand-side management

- 5.8. New or existing Designated EHV Property Customers may wish to offer part of their MIC to be interruptible by us (for active network management purposes

other than normal planned or unplanned outages) in order to benefit from any reduced UoS charges calculated using the EDCM.

- 5.9. Several options exist in which we may agree for some or the entire MIC to be interruptible. Under the EDCM the applicable demand capacity costs would be based on the MIC minus the capacity subject to interruption. Further information is available on our website at: <http://www.enwl.co.uk/our-services/use-of-system-charges/demand-side-management>. This provides more information on the type of arrangement that might be put in place should you request to participate in DSM arrangements.
- 5.10. If you are proactively interested in voluntarily but revocably offering to make some or all of your existing connection's MIC interruptible you should in the first instance contact our Demand Side Response Strategy and Delivery Manager at FutureNetworks@enwl.co.uk.

6. Electricity distribution rebates

- 6.1. We have neither given nor announced any DUoS rebates to Users in the 12 months preceding the date of publication of this version of the statement.

7. Accounting and administration services

- 7.1. We reserve the right to impose payment default remedies. The remedies are as set out in DCUSA where applicable or else as detailed in the following paragraph.
- 7.2. If any invoices that are not subject to a valid dispute remain unpaid on the due date, late payment interest (calculated at base rate plus 8%) and administration charges may be imposed.
- 7.3. Our administration charges are detailed in the following table. These charges are set at a level which is in line with the Late Payment of Commercial Debts Act;

Size of Unpaid Debt	Late Payment Fee
Up to £999.99	£40.00
£1,000 to £9,999.99	£70.00
£10,000 or more	£100.00

8. Charges for electrical plant provided ancillary to the grant of use of system

- 8.1. We do not have a schedule of the charges that may be made (i) for providing and installing any electrical plant at entry points or exit points, where such provision and installation are ancillary to the grant of UoS, and (ii) for maintaining such plant.

Appendix 1 - Glossary

1.1. The following definitions, which can extend to grammatical variations and cognate expressions, are included to aid understanding:

Term	Definition
All-the-way Charge	A charge that is applicable to an end user rather than an LDNO. An end user in this context is a Supplier/User who has a registered MPAN or MSID and is using the Distribution System to transport energy on behalf of a Customer.
Balancing and Settlement Code (BSC)	The BSC contains the governance arrangements for electricity balancing and settlement in Great Britain. An overview document is available from www.elexon.co.uk/ELEXON Documents/trading_arrangements.pdf .
Common Distribution Charging Methodology (CDCM)	The CDCM used for calculating charges to Designated Properties as required by standard licence condition 13A of the electricity distribution licence.
Connection Agreement	An agreement between an LDNO and a Customer which provides that that Customer has the right for its connected installation to be and remain directly or indirectly connected to that LDNO's Distribution System
Central Volume Allocation (CVA)	As defined in the BSC.
Customer	A person to whom a User proposes to supply, or for the time being supplies, electricity through an exit point, or from whom, a User or any relevant exempt supplier, is entitled to recover charges, compensation or an account of profits in respect of electricity supplied through an exit point; Or A person from whom a User purchases, or proposes to purchase, electricity, at an entry point (who may from time to time be supplied with electricity as a Customer of that User (or another electricity supplier) through an exit point).
Designated EHV Properties	As defined in standard condition 13B of the electricity distribution licence.
Designated Properties	As defined in standard condition 13A of the electricity distribution licence.

Term	Definition																																																																		
Distributor IDs	<p>These are unique IDs that can be used, with reference to the MPAN, to identify your LDNO. The charges for other network operators can be found on their website.</p> <table border="1" data-bbox="644 405 1378 1794"> <thead> <tr> <th data-bbox="644 405 715 443">ID</th> <th data-bbox="715 405 1062 443">Distribution Service Area</th> <th data-bbox="1062 405 1378 443">Company</th> </tr> </thead> <tbody> <tr> <td data-bbox="644 443 715 481">10</td> <td data-bbox="715 443 1062 481">East of England</td> <td data-bbox="1062 443 1378 481">UK Power Networks</td> </tr> <tr> <td data-bbox="644 481 715 560">11</td> <td data-bbox="715 481 1062 560">East Midlands</td> <td data-bbox="1062 481 1378 560">Western Power Distribution</td> </tr> <tr> <td data-bbox="644 560 715 598">12</td> <td data-bbox="715 560 1062 598">London</td> <td data-bbox="1062 560 1378 598">UK Power Networks</td> </tr> <tr> <td data-bbox="644 598 715 676">13</td> <td data-bbox="715 598 1062 676">Merseyside and North Wales</td> <td data-bbox="1062 598 1378 676">Scottish Power</td> </tr> <tr> <td data-bbox="644 676 715 754">14</td> <td data-bbox="715 676 1062 754">Midlands</td> <td data-bbox="1062 676 1378 754">Western Power Distribution</td> </tr> <tr> <td data-bbox="644 754 715 792">15</td> <td data-bbox="715 754 1062 792">Northern</td> <td data-bbox="1062 754 1378 792">Northern Powergrid</td> </tr> <tr> <td data-bbox="644 792 715 831">16</td> <td data-bbox="715 792 1062 831">North Western</td> <td data-bbox="1062 792 1378 831">Electricity North West</td> </tr> <tr> <td data-bbox="644 831 715 943">17</td> <td data-bbox="715 831 1062 943">Scottish Hydro Electric (and embedded networks in other areas)</td> <td data-bbox="1062 831 1378 943">Scottish Hydro Electric Power Distribution plc</td> </tr> <tr> <td data-bbox="644 943 715 981">18</td> <td data-bbox="715 943 1062 981">South Scotland</td> <td data-bbox="1062 943 1378 981">Scottish Power</td> </tr> <tr> <td data-bbox="644 981 715 1019">19</td> <td data-bbox="715 981 1062 1019">South East England</td> <td data-bbox="1062 981 1378 1019">UK Power Networks</td> </tr> <tr> <td data-bbox="644 1019 715 1131">20</td> <td data-bbox="715 1019 1062 1131">Southern Electric (and embedded networks in other areas)</td> <td data-bbox="1062 1019 1378 1131">Southern Electric Power Distribution plc</td> </tr> <tr> <td data-bbox="644 1131 715 1209">21</td> <td data-bbox="715 1131 1062 1209">South Wales</td> <td data-bbox="1062 1131 1378 1209">Western Power Distribution</td> </tr> <tr> <td data-bbox="644 1209 715 1288">22</td> <td data-bbox="715 1209 1062 1288">South Western</td> <td data-bbox="1062 1209 1378 1288">Western Power Distribution</td> </tr> <tr> <td data-bbox="644 1288 715 1326">23</td> <td data-bbox="715 1288 1062 1326">Yorkshire</td> <td data-bbox="1062 1288 1378 1326">Northern Powergrid</td> </tr> <tr> <td data-bbox="644 1326 715 1404">24</td> <td data-bbox="715 1326 1062 1404">All</td> <td data-bbox="1062 1326 1378 1404">Independent Power Networks</td> </tr> <tr> <td data-bbox="644 1404 715 1442">25</td> <td data-bbox="715 1404 1062 1442">All</td> <td data-bbox="1062 1404 1378 1442">ESP Electricity</td> </tr> <tr> <td data-bbox="644 1442 715 1520">26</td> <td data-bbox="715 1442 1062 1520">All</td> <td data-bbox="1062 1442 1378 1520">Energetics Electricity Ltd</td> </tr> <tr> <td data-bbox="644 1520 715 1581">27</td> <td data-bbox="715 1520 1062 1581">All</td> <td data-bbox="1062 1520 1378 1581">The Electricity Network Company Ltd</td> </tr> <tr> <td data-bbox="644 1581 715 1659">29</td> <td data-bbox="715 1581 1062 1659">All</td> <td data-bbox="1062 1581 1378 1659">Harlaxton Energy Networks</td> </tr> <tr> <td data-bbox="644 1659 715 1738">30</td> <td data-bbox="715 1659 1062 1738">All</td> <td data-bbox="1062 1659 1378 1738">Peel Electricity Networks Ltd</td> </tr> <tr> <td data-bbox="644 1738 715 1794">31</td> <td data-bbox="715 1738 1062 1794">All</td> <td data-bbox="1062 1738 1378 1794">UK Power Distribution Ltd</td> </tr> </tbody> </table>	ID	Distribution Service Area	Company	10	East of England	UK Power Networks	11	East Midlands	Western Power Distribution	12	London	UK Power Networks	13	Merseyside and North Wales	Scottish Power	14	Midlands	Western Power Distribution	15	Northern	Northern Powergrid	16	North Western	Electricity North West	17	Scottish Hydro Electric (and embedded networks in other areas)	Scottish Hydro Electric Power Distribution plc	18	South Scotland	Scottish Power	19	South East England	UK Power Networks	20	Southern Electric (and embedded networks in other areas)	Southern Electric Power Distribution plc	21	South Wales	Western Power Distribution	22	South Western	Western Power Distribution	23	Yorkshire	Northern Powergrid	24	All	Independent Power Networks	25	All	ESP Electricity	26	All	Energetics Electricity Ltd	27	All	The Electricity Network Company Ltd	29	All	Harlaxton Energy Networks	30	All	Peel Electricity Networks Ltd	31	All	UK Power Distribution Ltd
ID	Distribution Service Area	Company																																																																	
10	East of England	UK Power Networks																																																																	
11	East Midlands	Western Power Distribution																																																																	
12	London	UK Power Networks																																																																	
13	Merseyside and North Wales	Scottish Power																																																																	
14	Midlands	Western Power Distribution																																																																	
15	Northern	Northern Powergrid																																																																	
16	North Western	Electricity North West																																																																	
17	Scottish Hydro Electric (and embedded networks in other areas)	Scottish Hydro Electric Power Distribution plc																																																																	
18	South Scotland	Scottish Power																																																																	
19	South East England	UK Power Networks																																																																	
20	Southern Electric (and embedded networks in other areas)	Southern Electric Power Distribution plc																																																																	
21	South Wales	Western Power Distribution																																																																	
22	South Western	Western Power Distribution																																																																	
23	Yorkshire	Northern Powergrid																																																																	
24	All	Independent Power Networks																																																																	
25	All	ESP Electricity																																																																	
26	All	Energetics Electricity Ltd																																																																	
27	All	The Electricity Network Company Ltd																																																																	
29	All	Harlaxton Energy Networks																																																																	
30	All	Peel Electricity Networks Ltd																																																																	
31	All	UK Power Distribution Ltd																																																																	
Distribution Connection and Use of System Agreement (DCUSA)	<p>The DCUSA is a multi-party contract between the licensed electricity distributors, suppliers, generators and Offshore Transmission Owners of Great Britain.</p> <p>It is a requirement that all licensed electricity distributors and suppliers become parties to the DCUSA.</p>																																																																		

Term	Definition
Distribution Network Operator (DNO)	An electricity distributor that operates one of the 14 distribution services areas and in whose electricity distribution licence the requirements of Section B of the standard conditions of that licence have effect.
Distribution Services Area	The area specified by the Gas and Electricity Markets Authority within which each DNO must provide specified distribution services.
Distribution System	<p>The system consisting (wholly or mainly) of electric lines owned or operated by an authorised distributor that is used for the distribution of electricity from:</p> <ul style="list-style-type: none"> • Grid Supply Points or generation sets or other entry points <p>to the points of delivery to:</p> <ul style="list-style-type: none"> • Customers or Users or any transmission licensee in its capacity as operator of that licensee's transmission system or the Great Britain (GB) transmission system and includes any remote transmission assets (owned by a transmission licensee within England and Wales) that are operated by that authorised distributor and any electrical plant, electricity meters, and metering equipment owned or operated by it in connection with the distribution of electricity, but does not include any part of the GB transmission system.
EHV Distribution Charging Methodology (EDCM)	The EDCM used for calculating charges to Designated EHV Properties as required by standard licence condition 13B of the Electricity Distribution Licence.
Electricity Distribution Licence	The Electricity Distribution Licence granted or treated as granted pursuant to section 6(1) of the Electricity Act 1989.
Electricity Distributor	Any person who is authorised by an Electricity Distribution Licence to distribute electricity.
Embedded LDNO	This refers to an LDNO operating a Distribution System which is embedded within another Distribution System.
Embedded Network	An electricity Distribution System operated by an LDNO and embedded within another Distribution System.
Engineering Recommendation P2/6	A document of the Energy Networks Association, which defines planning standards for security of supply and is referred to in Standard Licence Condition 24 of our Electricity Distribution Licence.
Entry Point	A boundary point at which electricity is exported onto a Distribution System from a connected installation or from another Distribution System, not forming part of the total system (boundary point and total system having the meaning given to those terms in the BSC).

Term	Definition
Exit Point	A point of connection at which a supply of electricity may flow from the Distribution System to the Customer's installation or User's installation or the Distribution System of another person.
Extra High Voltage (EHV)	Nominal voltages of 22kV and above.
Gas and Electricity Markets Authority (GEMA)	As established by the Utilities Act 2000.
Grid Supply Point (GSP)	A metered connection between the National Grid Electricity Transmission system and the licensee's distribution system at which electricity flows to or from the Distribution System.
GSP group	A distinct electrical system that is supplied from one or more GSPs for which total supply into the GSP group can be determined for each half hour.
High Voltage (HV)	Nominal voltages of at least 1kV and less than 22kV.
Intermittent Generation	Defined in DCUSA Schedule 16 as a generation plant where the energy source of the prime mover can not be made available on demand, in accordance to the definitions in Engineering Recommendation P2/6. These include wind, tidal, wave, photovoltaic and small hydro.
Invalid Settlement Combination	A Settlement combination that is not recognised as a valid combination in market domain data - see https://www.elexonportal.co.uk/MDDVIEWER .
kVA	Kilovolt ampere.
kVArh	Kilovolt ampere reactive hour.
kW	Kilowatt.
kWh	Kilowatt hour (equivalent to one "unit" of electricity).
Licensed Distribution Network Operator (LDNO)	The holder of a licence in respect of electricity distribution activities in Great Britain.
Line Loss Factor (LLF)	The factor that is used in Settlement to adjust the metering system volumes to take account of losses on the distribution system.
Line Loss Factor Class (LLFC)	An identifier assigned to an SVA metering system which is used to assign the LLF and use of system charges.
Load Factor	$= \frac{\text{annual consumption (kWh)}}{\text{maximum demand (kW)} \times \text{hours in year}}$
Low Voltage (LV)	Nominal voltages below 1kV.

Term	Definition
Market Domain Data (MDD)	MDD is a central repository of reference data available to all Users involved in Settlement. It is essential to the operation of SVA trading arrangements.
Maximum Export Capacity (MEC)	The MEC of apparent power expressed in kVA that has been agreed can flow through the entry point to the Distribution System from the Customer's installation as specified in the connection agreement.
Maximum Import Capacity (MIC)	The MIC of apparent power expressed in kVA that has been agreed can flow through the exit point from the Distribution System to the Customer's installation as specified in the connection agreement.
Measurement Class	<p>A classification of metering systems used in the BSC which indicates how consumption is measured, i.e.:</p> <ul style="list-style-type: none"> • Measurement class A – non-half hourly metering equipment; • Measurement class B – non-half hourly unmetered supplies; • Measurement class C – half hourly metering equipment at or above 100kW premises; • Measurement class D – half hourly unmetered supplies; • Measurement class E – half hourly metering equipment below 100kW premises with CT; • Measurement class F – half hourly metering equipment at below 100kW premises with CT or whole current, and at domestic premises; and • Measurement class G – half hourly metering equipment at below 100kW premises with whole current and not at domestic premises.
Meter Timeswitch Code (MTC)	MTCs are three digit codes allowing suppliers to identify the metering installed in Customers' premises. They indicate whether the meter is single or multi-rate, pre-payment or credit, or whether it is 'related' to another meter. Further information can be found in MDD.
Metering Point	The point at which electricity that is exported to or imported from the licensee's Distribution System is measured, is deemed to be measured, or is intended to be measured and which is registered pursuant to the provisions of the MRA. For the purposes of this statement, GSPs are not 'metering points'.
Metering Point Administration Number (MPAN)	A number relating to a Metering Point under the MRA.
Metering System	Particular commissioned metering equipment installed for the purposes of measuring the quantities of exports and/or imports at the exit point or entry point.

Term	Definition
Metering System Identifier (MSID)	MSID is a term used throughout the BSC and its subsidiary documents and has the same meaning as MPAN as used under the MRA.
Master Registration Agreement (MRA)	The MRA is an Agreement that sets out terms for the provision of Metering Point Administration Services (MPAS) Registrations, and procedures in relation to the Change of Supplier to any premises/metering point.
Nested Networks	This refers to a situation where there is more than one level of Embedded Network and therefore nested Distribution Systems between LDNOs (e.g. host DNO→primary nested DNO→ secondary nested DNO→customer).
Non-Intermittent Generation	Defined in DCUSA Schedule 16 as a generation plant where the energy source of the prime mover can be made available on demand, in accordance to the definitions in Engineering Recommendation P2/6. The generator can choose when to operate, and bring more benefits to the network if it runs at times of high load. These include combined cycle gas turbine (CCGT), gas generators, landfill, sewage, biomass, biogas, energy crop, waste incineration and combined heat and power (CHP).
Ofgem	Office of Gas and Electricity Markets – Ofgem is governed by GEMA and is responsible for the regulation of the distribution companies.
Profile Class (PC)	A categorisation applied to NHH MPANs and used in settlement to group customers with similar consumption patterns to enable the calculation of consumption profiles.
Settlement	The determination and settlement of amounts payable in respect of charges (including reconciling charges) in accordance with the BSC.
Settlement Class (SC)	The combination of Profile Class, Line Loss Factor Class, Time Pattern Regime and Standard Settlement Configuration, by Supplier within a GSP group and used for Settlement.
Standard Settlement Configuration (SSC)	A standard metering configuration relating to a specific combination of Time Pattern Regimes.
Supercustomer	The method of billing Users for use of system on an aggregated basis, grouping together consumption and standing charges for all similar NHH metered Customers or aggregated HH metered Customers.
Supercustomer DUoS Report	A report of profiled data by Settlement Class providing counts of MPANs and units consumed.
Supplier	An organisation with a supply licence responsible for electricity supplied to and/or exported from a metering point.

Term	Definition
Supplier Volume Allocation (SVA)	As defined in the BSC.
Time Pattern Regime (TPR)	The pattern of switching behaviour through time that one or more meter registers follow.
Unmetered Supplies	Exit points deemed to be suitable as unmetered supplies as permitted in the Electricity (Unmetered Supply) Regulations 2001 and where operated in accordance with BSC procedure 520 ¹³ .
Use of System Charges	Charges which are applicable to those parties which use the Distribution System.
User	Someone that has a use of system agreement with the DNO e.g. a supplier, generator or other LDNO.

¹³ Balancing and Settlement Code Procedures are available from <http://www.elexon.co.uk/pages/bscps.aspx>

Appendix 2 - Guidance notes¹⁴

Background

- 1.1. The electricity bill from your Supplier contains an element of charge to cover electricity distribution costs. This distribution charge covers the cost of operating and maintaining a safe and reliable Distribution System that forms the 'wires' that transport electricity between the national transmission system and end users such as homes and businesses. Our Distribution System includes overhead lines, underground cables, as well as substations and transformers.
- 1.2. In most cases, your Supplier is invoiced for the distribution charge and this is normally part of your total bill. In some cases, for example business users, the Supplier may pass through the distribution charge as an identifiable line item on the electricity bill.
- 1.3. Where electricity is generated at a property your Supplier may receive a credit for energy that is exported on to the Distribution System. These credits are intended to reflect that the exported generation may reduce the need for traditional demand led reinforcement of the Distribution System.
- 1.4. Understanding your distribution charges could help you reduce your costs and increase your credits. This is achieved by understanding the components of the charge to help you identify whether there may be opportunities to change the way you use the Distribution System.

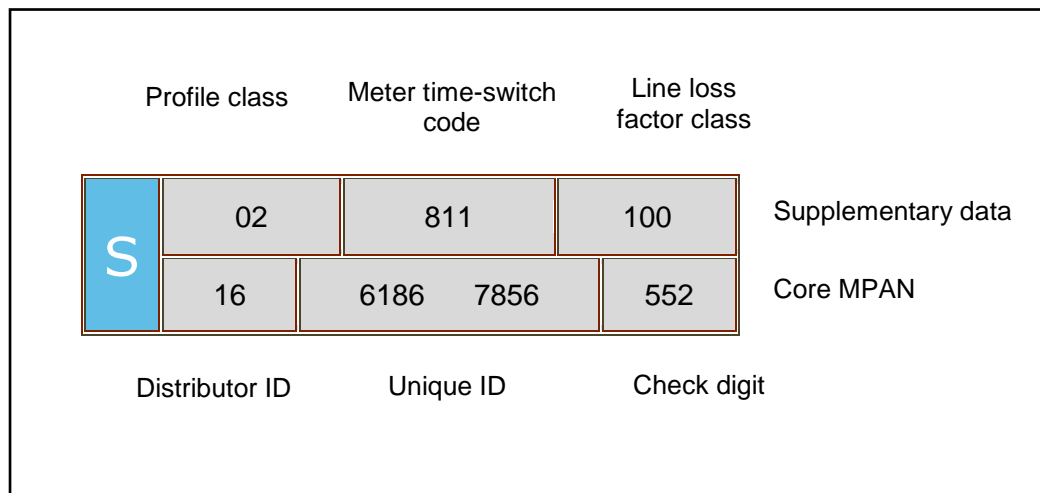
Meter point administration

- 1.5. We are responsible for managing the electricity supply points that are connected to our Distribution System. Typically, every supply point is identified by a Meter Point Administration Number (MPAN). A few supply points may have more than one MPAN depending on the metering configuration (e.g. a school which may have an MPAN for the main supply and an MPAN for catering).
- 1.6. The full MPAN is a 21 digit number, preceded by an 'S'. The MPAN applicable to a supply point is found on the electricity bill from your Supplier. This number enables you to establish who your electricity distributor is, details of the characteristics of the supply and importantly the distribution charges that are applicable to your premises.

¹⁴ These guidance notes are provided for additional information and do not form part of the application of charges.

- 1.7. The 21-digit number is normally presented in two sections as shown in the following diagram. The top section is supplementary data which gives information about the characteristics of supply, while the bottom 'core' is the unique identifier.

Full MPAN diagram



- 1.8. Generally, you will only need to know the Distributor ID and line loss factor class to identify the distribution charges for your premises. However, there are some premises where charges are specific to that site. In these instances, the charges are identified by the core MPAN. The Distributor ID for Electricity North West is 16. Other Distributor IDs can be referenced in the glossary.
- 1.9. Additionally it can be useful to understand the profile class provided in the supplementary data. The profile class will be a number between 00 and 08. The following list provides details of the allocation of profile classes to types of customers:
- '01' – Domestic customers with unrestricted supply
 - '02' – Domestic customers with restricted load, for example off-peak heating
 - '03' – Non-domestic customers with unrestricted supply
 - '04' – Non-domestic customers with restricted load, for example off-peak heating
 - '05' – Non-domestic maximum demand customers with a Load Factor of less than 20%
 - '06' – Non-domestic maximum demand customers with a Load Factor between 20% and 30%

- '07' – Non-domestic maximum demand customers with a Load Factor between 30% and 40%
 - '08' – Non-domestic maximum demand customers with a Load Factor over 40% or non-half hourly metered generation customers
 - '00' – Half-hourly metered demand and generation customers
- 1.10. Unmetered Supplies will be allocated to profile class 01, 08 and 00 depending on the type of load or the measurement method of the load.
- 1.11. The allocation of the profile class will affect your charges. If you feel that you have been allocated the wrong profile class, please contact your Supplier as they are responsible for this.

Your charges

- 1.12. All distribution charges that relate to our Distributor ID 16 are provided in this statement.
- 1.13. You can identify your charges by referencing your line loss factor class, from Annex 1. If the MPAN is for a Designated EHV Property, then the charges will be found in Annex 2. In a few instances, the charges may be contained in Annex 3. When identifying charges in Annex 2, please note that some line loss factor classes have more than one charge. In this instance you will need to select the correct charge by cross referencing with the core MPAN provided in the table.
- 1.14. Once you have identified which charge structure applies to your MPAN then you will be able to calculate an estimate of your distribution charge using the calculator provided in the spreadsheet 'Schedule of charges and other tables' found in the sheet called 'Charge Calculator'. This spreadsheet can be downloaded from <http://www.enwl.co.uk/our-services/use-of-system-charges>.

Reducing your charges

- 1.15. The most effective way to reduce your energy charges is to reduce your consumption by switching off or using more energy efficient appliances. However, there are also other potential opportunities to reduce your distribution charges; for example, it may be beneficial to shift demand or generation to a better time period. Demand use is likely to be cheaper outside peak periods and generation credits more beneficial, although the ability to directly benefit will be linked to the structure of your supply charges.

- 1.16. The calculator mentioned above provides the opportunity to establish a forecast of the change in distribution charges that could be achieved if you are able to change any of the consumption related inputs.

Reactive power and reactive power charges

- 1.17. Reactive power is a separately charged component of connections that are half hourly metered. Reactive power charges are generally avoidable if 'best practice' design of the properties' electrical installation has been provided in order to maintain a power factor between 0.95 and unity at the Metering Point.
- 1.18. Reactive Power (kVArh) is the difference between working power (active power measured in kW) and total power consumed (apparent power measured in kVA). Essentially it is a measure of how efficiently electrical power is transported through an electrical installation or a Distribution System.
- 1.19. Power flowing with a power factor of unity results in the most efficient loading of the Distribution System. Power flowing with a power factor of less than 0.95 results in much higher losses in the Distribution System, a need to potentially provide higher capacity electrical equipment and consequently a higher bill for you the consumer. A comparatively small improvement in power factor can bring about a significant reduction in losses since losses are proportional to the square of the current.
- 1.20. Different types of electrical equipment require some 'reactive power' in addition to 'active power' in order to work effectively. Electric motors, transformers and fluorescent lighting, for example, may produce poor power factors due to the nature of their inductive load. However, if good design practice is applied then the poor power factor of appliances can be corrected as near as possible to source. Alternatively, poor power factor can be corrected centrally near to the meter.
- 1.21. There are many advantages that can be achieved by correcting poor power factor. These include: reduced energy bills through lower reactive charges, lower capacity charges and reduced power consumption and reduced voltage drop in long cable runs.

Site-specific EDCM charges

- 1.22. A site classified as a Designated EHV Property is subject to a locational based charging methodology (referred to as EDCM) for higher voltage network users. Distributors use two approved approaches: Long Run Incremental Cost (LRIC)

and Forward Cost Pricing (FCP) and we use the LRIC. The EDCM will apply to Customers connected at Extra High Voltage or connected at High Voltage and metered at a high voltage substation.

- 1.23. EDCM charges and credits are site-specific, reflecting the degree to which the local and higher voltage networks have the capacity to serve more demand or generation without the need to upgrade the electricity infrastructure. The charges also reflect the networks specifically used to deliver the electricity to the site as well as the usage at the site. Generators with non-intermittent output and deemed to be providing beneficial support to our networks may qualify to receive credit.
- 1.24. The charges under the EDCM comprise of the following individual components:
- a) **Fixed charge** - This charge recovers operational costs associated with those connection assets that are provided for the 'sole' use of the customer. The value of these assets is used as a basis to derive the charge.
 - b) **Capacity charge (pence/kVA/day)** - This charge comprises the relevant LRIC component, the National Grid Electricity Transmission cost and other regulated costs.

Capacity charges are levied on the MIC, MEC, and any exceeded capacity. You may wish to review your MIC or MEC periodically to ensure it remains appropriate for your needs as you may be paying for more capacity than you require. If you wish to make changes contact us via the details in paragraph 1.12

The LRIC cost is locational and reflects our assessment of future network reinforcement necessary at the voltage of connection (local) and beyond at all higher voltages (remote) relevant to the customer's connection. This results in the allocation of higher costs in more capacity congested parts of the network reflecting the greater likelihood of future reinforcement in these areas, and the allocation of lower costs in less congested parts of the network. The local LRIC cost is included in the capacity charge.

Our regulated costs include direct and indirect operational costs and a residual amount to ensure recovery of our regulated allowed revenue. The capacity charge recovers these costs using the customer usage profile and the relevant

assets being used to transport electricity between the source substation and customer's Metering Point.

c) **Super-red unit charge (pence/kWh)** - This charge recovers the remote LRIC component. The charge is positive for import and negative for export which means you can either reduce your charges by minimising consumption or increasing export at those times. The charge is applied to consumption during the Super-red time period as detailed in Annex 2.

1.25. Future charge rates may be affected by consumption during the Super-red period, therefore reducing consumption in the Super-red time period may be beneficial.

1.26. **Reactive Power** -The EDCM does not include a separate charge component for any reactive power flows (kVAr) for either demand or generation. However, the EDCM charges do reflect the effect on the network of the customer's power factor, for example unit charges can increase if your site power factor is poor (lower than 0.95). Improving your site's power factor will also reduce the maximum demand (kVA) for the same power consumed in kW thus providing scope to reduce your agreed capacity requirements.

Annex 1 - Schedule of charges for use of the distribution system by LV and HV Designated Properties

Time Bands for Half Hourly Metered Properties			
Time periods	Red Time Band	Amber Time Band	Green Time Band
Monday to Friday (Including Bank Holidays) All Year	16:00 to 19:00	09:00 to 16:00 19:00 to 20:30	00:00 - 09:00 20:30 - 24:00
Saturday and Sunday All Year		16:00 to 19:00	00:00 - 16:00 19:00 - 24:00
Notes	All the above times are in UK Clock time		

Time Bands for Half Hourly Unmetered Properties			
	Black Time Band	Yellow Time Band	Green Time Band
Monday to Friday (Including Bank Holidays) March to October Inclusive		09:00 - 20:30	00:00 - 09:00 20:30 - 24:00
Monday to Friday (Including Bank Holidays) November to February Inclusive	16:00 to 19:00	09:00 - 16:00 19:00 - 20:30	00:00 - 09:00 20:30 - 24:00
Saturday and Sunday All year		16:00 to 19:00	00:00 - 16:00 19:00 - 24:00
Notes	All the above times are in UK Clock time		

* Domestic Unrestricted, Domestic Two Rate and LV Network Domestic Fixed Charges have been increased since the original publication to recover an amount equal to a Supplier of Last Resort Payment Claim.

Tariff name	Open LLFs	PCs	Unit charge 1 (NHH) or red/black charge (HH) p/kWh	Unit charge 2 (NHH) or amber/yellow charge (HH) p/kWh	Green charge(HH) p/kWh	Fixed charge p/MPAN/day	Capacity charge p/kVA/day	Exceeded capacity charge p/kVA/day	Reactive power charge p/kVAh	Closed LLFs
Domestic Unrestricted*	011, 041, 441, 511	1	2.205			3.31				
Domestic Two Rate*	031, 051, 061, 451, 531	2	2.536	0.686		3.31				
Domestic Off Peak (related MPAN)	081, 581	2	0.727							
Small Non Domestic Unrestricted	131, 191, 631	3	2.053			3.23				
Small Non Domestic Two Rate	161, 171, 661	4	2.118	0.646		3.23				
Small Non Domestic Off Peak (related MPAN)	091, 591	4	0.669							
LV Medium Non-Domestic	241, 431, 481, 751	5-8	2.137	0.637		15.10				
LV Sub Medium Non-Domestic	242, 432, 482, 752	5-8	1.820	0.609		56.48				
HV Medium Non-Domestic	483, 753	5-8	1.282	0.558		176.45				
LV Network Domestic*	821, 851		9.803	1.855	0.668	3.31				
LV Network Non-Domestic Non-CT	831, 861		8.908	1.724	0.651	3.23				
LV HH Metered	801, 841		6.623	1.341	0.604	13.06	3.41	5.19	0.164	
LV Sub HH Metered	802, 842		5.405	1.133	0.578	41.93	3.50	6.36	0.127	
HV HH Metered	803, 843		3.953	0.894	0.548	92.20	2.94	5.96	0.086	
NHH UMS category A	761	8	3.235							
NHH UMS category B	771	1	3.434							
NHH UMS category C	781	1	4.530							
NHH UMS category D	791	1	3.163							
LV UMS (Pseudo HH Metered)	811		24.503	3.209	2.246					
LV Generation NHH or Aggregate HH	961	8 & 0	-0.922			0.00				
LV Sub Generation NHH	962	8	-0.741			0.00				
LV Generation Intermittent	971		-0.922			0.00			0.143	
LV Generation Intermittent no RP charge			-0.922			0.00				
LV Generation Non-Intermittent	981		-6.450	-0.944	-1.131	0.00			0.143	
LV Generation Non-Intermittent no RP charge			-6.450	-0.944	-1.131	0.00				
LV Sub Generation Intermittent	972		-0.741			0.00			0.121	
LV Sub Generation Intermittent no RP charge			-0.741			0.00				
LV Sub Generation Non-Intermittent	982		-5.259	-0.737	-0.896	0.00			0.121	
LV Sub Generation Non-Intermittent no RP charge			-5.259	-0.737	-0.896	0.00				
HV Generation Intermittent	973		-0.535			6.21			0.095	
HV Generation Intermittent no RP charge			-0.535			6.21				
HV Generation Non-Intermittent	983		-3.927	-0.497	-0.607	6.21			0.095	
HV Generation Non-Intermittent no RP charge			-3.927	-0.497	-0.607	6.21				

Annex 2 - Schedule of charges for use of the distribution system by Designated EHV Properties (including LDNOs with Designated EHV Properties/end-users)

Electricity North West Limited - Effective from 1 April 2018 - Final EDCM charges

Time Periods for Designated EHV Properties	
Time periods	Super Red Time Band
Monday to Friday (Including Bank Holidays) November to February Inclusive	16:00 - 19:00
Notes	
All the above times are in UK Clock time	

Import Unique Identifier	LLFC	Import MPANs/MSIDs	Export Unique Identifier	LLFC	Export MPANs/MSIDs	Name	Import Super Red unit charge (p/kWh)	Import fixed charge (p/day)	Import capacity charge (p/kVA/day)	Import exceeded capacity charge (p/kVA/day)	Export Super Red unit charge (p/kWh)	Export fixed charge (p/day)	Export capacity charge (p/kVA/day)	Export exceeded capacity charge (p/kVA/day)
Tariff 1	610	1600000132063	Export Tariff 1	-	-	Site 1	0.000	14066.76	3.97	3.97				
Tariff 2	500	162000072484	Export Tariff 2	-	-	Site 2	0.161	1135.74	6.00	6.00				
Tariff 3	650	1600000139069	Export Tariff 3	-	-	Site 3	0.118	757.16	3.05	3.05				
Tariff 4	660	1600000138836	Export Tariff 4	-	-	Site 4	0.313	2654.28	2.42	2.42				
Tariff 5	640	1600000138766	Export Tariff 5	-	-	Site 5	1.178	2226.19	12.11	12.11				
Tariff 6	700	1600000138845	Export Tariff 6	-	-	Site 6	0.434	3674.39	2.33	2.33				
Tariff 7	900	1620000595805	Export Tariff 7	-	-	Site 7	1.499	757.16	6.79	6.79				
Tariff 8	670	1600000176743	Export Tariff 8	217	1640000519728	Site 8	0.178	1485.37	9.07	9.07	0.000	426.24	0.05	0.05
Tariff 9	320	1630000239738	Export Tariff 9	-	-	Site 9	0.000	21520.55	2.34	2.34				
Tariff 10	850	1620000847420	Export Tariff 10	-	-	Site 10	0.482	757.16	8.71	8.71				
Tariff 11	450	1620001195216	Export Tariff 11	-	-	Site 11	4.065	6523.05	7.83	7.83				
Tariff 12	460	1620001102921	Export Tariff 12	470	1620001102930	Site 12	0.000	637.53	1.03	1.03	0.000	0.00	0.00	0.00
Tariff 13	680	1600000135019	Export Tariff 13	690	1620000193245	Site 13	0.030	191.77	2.15	2.15	-0.536	381.12	0.05	0.05
Tariff 14	520	1620000398404	Export Tariff 14	730	1630000403060	Site 14	0.567	1538.56	3.36	3.36	0.000	0.00	0.00	0.00
Tariff 15	510	1620000398399	Export Tariff 15	720	1630000408166	Site 15	0.000	2834.19	3.53	3.53	0.000	0.00	0.00	0.00
Tariff 16	530	1620000398440	Export Tariff 16	770	1630000402252	Site 16	0.000	6831.69	4.75	4.75	0.000	0.00	0.00	0.00
Tariff 17	540	1620000398413	Export Tariff 17	740	1630000402304	Site 17	1.000	2871.98	2.95	2.95	0.000	0.00	0.00	0.00
Tariff 18	550	1620000398422	Export Tariff 18	750	1630000403070	Site 18	0.164	3159.18	5.04	5.04	0.000	0.00	0.00	0.00
Tariff 19	810	1620000622316	Export Tariff 19	820	1620000622325	Site 19	0.226	1435.99	6.86	6.86	0.000	0.00	0.00	0.00
Tariff 20	830	1620000828143	Export Tariff 20	840	1620000828134	Site 20	0.000	15.50	2.73	2.73	-1.797	2279.46	0.05	0.05
Tariff 21	960	1620000388390	Export Tariff 21	970	1620000388406	Site 21	0.015	312.60	1.32	1.32	0.000	0.00	0.00	0.00
Tariff 22	370	1630000165174	Export Tariff 22	360	1630000165183	Site 22	0.103	2.16	3.48	3.48	0.000	0.00	0.00	0.00
Tariff 23	410	1620001681340	Export Tariff 23	420	1620001681359	Site 23	0.291	2.85	2.45	2.45	-1.195	898.83	0.05	0.05
Tariff 24	430	1620001638558	Export Tariff 24	440	1620001638567	Site 24	0.069	1.73	2.69	2.69	0.000	0.00	0.00	0.00
Tariff 25	340	1630000215620	Export Tariff 25	350	1630000215630	Site 25	0.100	10.34	2.79	2.79	0.000	0.00	0.00	0.00
Tariff 26	480	1620000703611	Export Tariff 26	490	1620000703620	Site 26	0.828	1.92	4.05	4.05	0.000	0.00	0.00	0.00
Tariff 27	600	1620000297228	Export Tariff 27	590	1620000297237	Site 27	0.057	19.01	1.78	1.78	0.000	0.00	0.00	0.00
Tariff 28	980	1620000390840	Export Tariff 28	990	1620000390850	Site 28	0.000	1.58	2.49	2.49	0.000	0.00	0.00	0.00
Tariff 29	280	1630000474610	Export Tariff 29	290	1630000474683	Site 29	0.000	46.60	1.60	1.60	0.000	12117.10	0.05	0.05
Tariff 30	260	1630000799836	Export Tariff 30	270	1630000799845	Site 30	0.069	6.11	2.43	2.43	0.000	606.40	0.05	0.05
Tariff 31	180	1640000177307	Export Tariff 31	190	1640000177316	Site 31	1.111	117.93	1.73	1.73	0.000	7220.40	0.05	0.05
Tariff 32	200	1640000063195	Export Tariff 32	210	1640000063200	Site 32	0.000	4474.73	1.01	1.01	0.000	5775.60	0.05	0.05
Tariff 33	140	1640000082620	Export Tariff 33	150	1640000082630	Site 33	0.065	4.13	2.46	2.46	0.000	620.01	0.05	0.05
Tariff 34	160	1640000082286	Export Tariff 34	170	1640000082295	Site 34	0.199	9.25	2.56	2.56	0.000	850.64	0.05	0.05

Import Unique Identifier	LLFC	Import MPANs/MSIDs	Export Unique Identifier	LLFC	Export MPANs/MSIDs	Name	Import Super Red unit charge (p/kWh)	Import fixed charge (p/day)	Import capacity charge (p/kVA/day)	Import exceeded capacity charge (p/kVA/day)	Export Super Red unit charge (p/kWh)	Export fixed charge (p/day)	Export capacity charge (p/kVA/day)	Export exceeded capacity charge (p/kVA/day)
Tariff 35	950	1620000279707	Export Tariff 35	-	-	Site 35	0.028	26890.75	3.98	3.98				
Tariff 36	910	1600000169151	Export Tariff 36	-	-	Site 36	0.028	153.48	9.01	9.01				
Tariff 37	920	1600000168859	Export Tariff 37	-	-	Site 37	0.000	153.48	5.74	5.74				
Tariff 38	570	1600000136918	Export Tariff 38	-	-	Site 38	0.000	0.00	1.38	1.38				
Tariff 39	109	1630000187381	Export Tariff 39	-	-	Site 39	6.139	1534.79	11.16	11.16				
Tariff 40	119	1630000031105	Export Tariff 40	-	-	Site 40	6.236	306.96	12.20	12.20				
Tariff 41	129	1600000148392	Export Tariff 41	-	-	Site 41	0.198	153.48	3.99	3.99				
Tariff 42	139	1600000136244	Export Tariff 42	-	-	Site 42	1.112	306.96	7.64	7.64				
Tariff 43	149	1620001236332	Export Tariff 43	-	-	Site 43	1.435	2701.23	8.50	8.50				
Tariff 44	419	1600000138108	Export Tariff 44	-	-	Site 44	1.452	306.96	8.59	8.59				
Tariff 45	169	1600000132620	Export Tariff 45	-	-	Site 45	1.865	920.87	7.69	7.69				
Tariff 46	179	1620000531564	Export Tariff 46	-	-	Site 46	6.501	460.44	9.72	9.72				
Tariff 47	189	1600000137841	Export Tariff 47	-	-	Site 47	1.587	6885.51	4.16	4.16				
Tariff 48	199	1600000134831	Export Tariff 48	-	-	Site 48	0.542	8832.38	7.64	7.64				
Tariff 49	209	1600000134901	Export Tariff 49	-	-	Site 49	0.771	767.39	12.53	12.53				
Tariff 50	219	1600000155460	Export Tariff 50	-	-	Site 50	0.076	1363.06	2.06	2.06				
Tariff 51	229	1600000132392	Export Tariff 51	-	-	Site 51	1.123	306.96	3.63	3.63				
Tariff 52	239	1600000134850	Export Tariff 52	-	-	Site 52	0.772	306.96	7.95	7.95				
Tariff 53	249	1600000137318	Export Tariff 53	-	-	Site 53	0.381	306.96	3.50	3.50				
Tariff 54	259	1600000137674	Export Tariff 54	-	-	Site 54	4.090	153.48	11.00	11.00				
Tariff 55	369	1600000137823	Export Tariff 55	-	-	Site 55	1.668	306.96	8.37	8.37				
Tariff 56	289	1600000138516	Export Tariff 56	-	-	Site 56	2.121	153.48	3.11	3.11				
Tariff 57	299	1600000134822	Export Tariff 57	-	-	Site 57	0.565	8818.50	7.23	7.23				
Tariff 58	309	1600000134984	Export Tariff 58	-	-	Site 58	0.949	4222.57	5.04	5.04				
Tariff 59	319	1600000133856	Export Tariff 59	-	-	Site 59	1.627	153.48	3.85	3.85				
Tariff 60	329	1600000138924	Export Tariff 60	-	-	Site 60	0.975	306.96	9.21	9.21				
Tariff 61	339	1600000135064	Export Tariff 61	-	-	Site 61	2.764	306.96	6.82	6.82				
Tariff 62	349	1600000132036	Export Tariff 62	-	1640000285020	Site 62	2.769	8102.21	7.63	7.63	0.000	0.00	0.00	0.00
Tariff 63	359	1600000132045	Export Tariff 63	-	-	Site 63	0.104	4271.86	4.80	4.80				
Tariff 64	269	1600000138311	Export Tariff 64	-	-	Site 64	0.448	5815.98	7.15	7.15				
Tariff 65	529	1600000177747	Export Tariff 65	-	-	Site 65	2.172	306.96	8.10	8.10				
Tariff 66	389	1600000139087	Export Tariff 66	499	1620000174048	Site 66	1.602	78.27	8.11	8.11	0.000	0.00	0.00	0.00
Tariff 67	439	1620000418238	Export Tariff 67	479	1620000366875	Site 67	3.276	0.62	2.43	2.43	0.000	0.00	0.00	0.00
Tariff 68	159	1620000370375	Export Tariff 68	489	1620000370366	Site 68	1.641	109.25	3.06	3.06	0.000	0.00	0.00	0.00
Tariff 69	110	1640000199737	Export Tariff 69	120	1640000199746	Site 69	0.946	14.18	3.80	3.80	0.000	1209.15	0.05	0.05
Tariff 70	220	1640000264119	Export Tariff 70	230	1640000264128	Site 70	0.418	17.23	3.47	3.47	0.000	459.57	0.05	0.05
Tariff 71	080	1640000264146	Export Tariff 71	090	1640000264155	Site 71	0.096	41.22	2.23	2.23	0.000	779.38	0.05	0.05
Tariff 72	040	1640000295385	Export Tariff 72	050	1640000295394	Site 72	0.199	20.09	2.74	2.74	0.000	1537.20	0.05	0.05
Tariff 73	060	1640000319177	Export Tariff 73	070	1640000319159	Site 73	0.398	5.90	2.41	2.41	0.000	372.68	0.05	0.05
Tariff 74	068	1640000319186	Export Tariff 74	078	1640000319168	Site 74	0.398	5.90	2.37	2.37	0.000	372.68	0.05	0.05
Tariff 75	020	1640000408836	Export Tariff 75	030	1640000408845	Site 75	0.314	105.36	1.92	1.92	0.000	12747.98	0.05	0.05
Tariff 76	010	1640000478026	Export Tariff 76	100	1640000478035	Site 76	0.521	23.28	3.12	3.12	0.000	6248.88	0.05	0.05
Tariff 77	088	1640000458483	Export Tariff 77	098	1640000458517	Site 77	0.080	9.01	5.03	5.03	0.000	1351.83	0.05	0.05
Tariff 78	237	1640000618819	Export Tariff 78	227	1640000618828	Site 78	0.180	55.57	2.72	2.72	0.000	2778.67	0.05	0.05
Tariff 79	257	1640000553612	Export Tariff 79	247	1640000553621	Site 79	0.019	19.17	2.41	2.41	0.000	3306.21	0.05	0.05

Import Unique Identifier	LLFC	Import MPANs/MSIDs	Export Unique Identifier	LLFC	Export MPANs/MSIDs	Name	Import Super Red unit charge (p/kWh)	Import fixed charge (p/day)	Import capacity charge (p/kVA/day)	Import exceeded capacity charge (p/kVA/day)	Export Super Red unit charge (p/kWh)	Export fixed charge (p/day)	Export capacity charge (p/kVA/day)	Export exceeded capacity charge (p/kVA/day)
Tariff 80	277	1640000541148	Export Tariff 80	267	1640000541157	Site 80	0.318	19.17	2.72	2.72	0.000	1916.71	0.05	0.05
Tariff 81	297	1640000541166	Export Tariff 81	287	1640000541175	Site 81	1.322	2.03	4.48	4.48	0.000	376.55	0.05	0.05
Tariff 82	187	1640000541732	Export Tariff 82	177	1640000541741	Site 82	0.310	4.32	2.72	2.72	0.000	374.26	0.05	0.05
Tariff 83	207	1640000605243	Export Tariff 83	197	1640000605252	Site 83	0.180	9.46	2.79	2.79	0.000	369.12	0.05	0.05
Tariff 84	MSID	MSID 7016	Export Tariff 84	MSID	MSID 7016	Site 84	0.000	0.00	1.38	1.38	0.000	0.00	0.00	0.00
Tariff 85	MSID	MSID 7039 7040	Export Tariff 85	MSID	MSID 7039 7040	Site 85	0.000	1223.27	4.62	4.62	0.000	0.00	0.00	0.00
Tariff 86	MSID	MSID 7107	Export Tariff 86	MSID	MSID 7107	Site 86	0.000	1176.20	1.47	1.47	0.000	0.00	0.00	0.00
Tariff 87	MSID	MSID 7247	Export Tariff 87	MSID	MSID 7247	Site 87	0.000	30.39	1.23	1.23	0.000	2279.46	0.05	0.05
Tariff 88	MSID	MSID 7240	Export Tariff 88	MSID	MSID 7240	Site 88	0.000	24.97	1.03	1.03	0.000	2284.88	0.05	0.05
Tariff 89	MSID	MSID 7241 7242	Export Tariff 89	MSID	MSID 7241 7242	Site 89	0.008	35.16	1.64	1.64	0.000	0.00	0.00	0.00
Tariff 90	MSID	MSID 7244	Export Tariff 90	MSID	MSID 7244	Site 90	0.000	11.67	1.28	1.28	0.000	0.00	0.00	0.00
Tariff 91*	MSID	MSID 2037 2038	Export Tariff 91	-	-	Site 91	3.656	1135.74	8.63	8.63				
Tariff 92*	MSID	MSID 7156	Export Tariff 92	-	-	Site 92	0.724	378.58	2.03	2.03				
Tariff 93*	MSID	MSID 0437	Export Tariff 93	-	-	Site 93	0.028	306.96	9.73	9.73				
Tariff 94	n/a	IDNO1	Export Tariff 94	-	-	Site 94	0.028	655.84	3.09	3.09				
Tariff 95	n/a	IDNO2	Export Tariff 95	-	-	Site 95	0.028	1537.42	2.68	2.68				
Tariff 96	307	1640000565627	Export Tariff 96	317	1640000565636	Site 96	0.107	19.23	2.10	2.10	-0.330	1538.07	0.05	0.05
Tariff 97	327	1640000565645	Export Tariff 97	337	1640000565654	Site 97	0.142	4.67	1.99	1.99	-0.203	373.91	0.05	0.05
Tariff 98	347	1640000546261	Export Tariff 98	357	1640000546270	Site 98	0.000	4.67	1.94	1.94	0.000	373.91	0.05	0.05
Tariff 99	367	1640000565478	Export Tariff 99	377	1640000565487	Site 99	0.000	11.47	1.94	1.94	0.000	367.11	0.05	0.05
Tariff 100	387	1640000565501	Export Tariff 100	397	1640000565510	Site 100	0.000	13.05	1.94	1.94	0.000	365.53	0.05	0.05
Tariff 101	437	1640000598205	Export Tariff 101	427	1640000598214	Site 101	0.184	139.42	2.37	2.37	0.000	17316.22	0.05	0.05
Tariff 102	457	1640000580634	Export Tariff 102	-	-	Site 102	0.158	757.16	2.93	2.93	0.000	0.00	0.00	0.00
Tariff 103	417	1640000625036	Export Tariff 103	407	1640000625045	Site 103	0.314	18.31	3.02	3.02	0.000	823.90	0.05	0.05
Tariff 104	467	tbc	Export Tariff 104	477	tbc	Site 104	1.667	20.23	2.92	2.92	-3.330	603.92	0.05	0.05
Tariff 105	108	tbc	Export Tariff 105	118	tbc	Site 105	1.667	27.85	2.92	2.92	-3.330	665.06	0.05	0.05
Tariff 106	539	tbc	Export Tariff 106	-	tbc	Site 106	2.371	10569.24	2.02	2.02	0.000	0.00	0.00	0.00
Tariff 107	549	tbc	Export Tariff 107	-	tbc	Site 107	1.472	8046.38	3.24	3.24	0.000	0.00	0.00	0.00
Tariff 108	tbc	tbc	Export Tariff 108	tbc	tbc	Site 108	0.203	8.89	5.34	5.34	0.000	369.69	0.05	0.05
Tariff 109	tbc	tbc	Export Tariff 109	tbc	tbc	Site 109	0.000	4.67	2.36	2.36	-0.126	373.91	0.05	0.05
Tariff 110	tbc	1620000588296, 1620000588310	Export Tariff 110	tbc	1620000588301, 1620000588320	Site 110	2.267	274.07	2.86	2.86	0.000	32.89	0.05	0.05

*Charges superseded. Amended charges published in Annex 6 in line with clause 5.7 of the LC14 charging statement.

Annex 3 - Schedule of charges for use of the distribution system by preserved/additional LLF classes

Electricity North West Limited - Effective from 1 April 2018 - Final LV and HV tariffs									
NHH preserved charges/additional LLFCs									
	Closed LLFCs	PCs	Unit charge 1 (NHH) p/kWh	Unit charge 2 (NHH) p/kWh	Fixed charge p/MPAN/day				
HV Medium Non-Domestic	483, 753		1.282	0.558	176.45				
Notes:	Unit time periods are as specified in the SSC.								

Annex 4 - Charges applied to LDNOs with LV and HV end-users

Electricity North West Limited - Effective from 1 April 2018 - Final LDNO tariffs			
Time Bands for Half Hourly Metered Properties			
Time periods	Red Time Band	Amber Time Band	Green Time Band
Monday to Friday (Including Bank Holidays) All Year	16:00 to 19:00	09:00 to 16:00 19:00 to 20:30	00:00 - 09:00 20:30 - 24:00
Saturday and Sunday All Year		16:00 to 19:00	00:00 - 16:00 19:00 - 24:00
Notes	All the above times are in UK Clock time		

Time Bands for Half Hourly Unmetered Properties			
	Black Time Band	Yellow Time Band	Green Time Band
Monday to Friday (Including Bank Holidays) March to October Inclusive		09:00 - 20:30	00:00 - 09:00 20:30 - 24:00
Monday to Friday (Including Bank Holidays) November to February Inclusive	16:00 to 19:00	09:00 - 16:00 19:00 - 20:30	00:00 - 09:00 20:30 - 24:00
Saturday and Sunday All year		16:00 to 19:00	00:00 - 16:00 19:00 - 24:00
Notes	All the above times are in UK Clock time		

Tariff name	PCs	Unit charge 1 (NHH) or red/black charge (HH) p/kWh	Unit charge 2 (NHH) or amber/yellow charge (HH) p/kWh	Green charge(HH) p/kWh	Fixed charge p/MPAN/day	Capacity charge p/kVA/day	Exceeded capacity charge p/kVA/day	Reactive power charge p/kVAh
LDNO LV: Domestic Unrestricted	1	1.417			2.08			
LDNO LV: Domestic Two Rate	2	1.630	0.441		2.08			
LDNO LV: Domestic Off Peak (related MPAN)	2	0.467						
LDNO LV: Small Non Domestic Unrestricted	3	1.320			2.08			
LDNO LV: Small Non Domestic Two Rate	4	1.361	0.415		2.08			
LDNO LV: Small Non Domestic Off Peak (related MPAN)	4	0.430						
LDNO LV: LV Medium Non-Domestic	5-8	1.374	0.409		9.71			
LDNO LV: LV Network Domestic		6.301	1.192	0.429	2.08			
LDNO LV: LV Network Non-Domestic Non-CT		5.725	1.108	0.418	2.08			
LDNO LV: LV HH Metered		4.257	0.862	0.388	8.39	2.19	3.34	0.105
LDNO LV: NHH UMS category A	8	2.079						
LDNO LV: NHH UMS category B	1	2.207						
LDNO LV: NHH UMS category C	1	2.912						
LDNO LV: NHH UMS category D	1	2.033						
LDNO LV: LV UMS (Pseudo HH Metered)		15.749	2.063	1.444				
LDNO LV: LV Generation NHH or Aggregate HH	8&0	-0.922			0.00			
LDNO LV: LV Generation Intermittent		-0.922			0.00			0.143
LDNO LV: LV Generation Non-Intermittent		-6.450	-0.944	-0.121	0.00			0.143
LDNO HV: Domestic Unrestricted	1	0.937			1.37			
LDNO HV: Domestic Two Rate	2	1.077	0.291		1.37			
LDNO HV: Domestic Off Peak (related MPAN)	2	0.309						
LDNO HV: Small Non Domestic Unrestricted	3	0.872			1.37			
LDNO HV: Small Non Domestic Two Rate	4	0.900	0.274		1.37			
LDNO HV: Small Non Domestic Off Peak (related MPAN)	4	0.284						
LDNO HV: LV Medium Non-Domestic	5-8	0.908	0.271		6.41			
LDNO HV: LV Network Domestic		4.164	0.788	0.284	1.37			
LDNO HV: LV Network Non-Domestic Non-CT		3.784	0.732	0.277	1.37			
LDNO HV: LV HH Metered		2.814	0.570	0.257	5.55	1.45	2.20	0.070
LDNO HV: LV Sub HH Metered		3.615	0.758	0.387	28.04	2.34	4.25	0.085
LDNO HV: HV HH Metered		3.129	0.708	0.434	72.97	2.33	4.72	0.068
LDNO HV: NHH UMS category A	8	1.374						
LDNO HV: NHH UMS category B	1	1.459						
LDNO HV: NHH UMS category C	1	1.924						

Tariff name	PCs	Unit charge 1 (NHH) or red/black charge (HH) p/kWh	Unit charge 2 (NHH) or amber/yellow charge (HH) p/kWh	Green charge(HH) p/kWh	Fixed charge p/MPAN/day	Capacity charge p/kVA/day	Exceeded capacity charge p/kVA/day	Reactive power charge p/kVArh
LDNO HV: NHH UMS category D	1	1.344						
LDNO HV: LV UMS (Pseudo HH Metered)		10.409	1.363	0.954				
LDNO HV: LV Generation NHH or Aggregate HH	8&0	-0.922			0.00			
LDNO HV: LV Sub Generation NHH	8	-0.741			0.00			
LDNO HV: LV Generation Intermittent		-0.922			0.00			0.143
LDNO HV: LV Generation Non-Intermittent		-6.450	-0.944	-0.124	0.00			0.143
LDNO HV: LV Sub Generation Intermittent		-0.741			0.00			0.121
LDNO HV: LV Sub Generation Non-Intermittent		-5.259	-0.737	-0.096	0.00			0.121
LDNO HV: HV Generation Intermittent		-0.535			0.00			0.095
LDNO HV: HV Generation Non-Intermittent		-3.927	-0.497	-0.067	0.00			0.095
LDNO HVplus: Domestic Unrestricted	1	0.810			1.19			
LDNO HVplus: Domestic Two Rate	2	0.931	0.252		1.19			
LDNO HVplus: Domestic Off Peak (related MPAN)	2	0.267						
LDNO HVplus: Small Non Domestic Unrestricted	3	0.754			1.19			
LDNO HVplus: Small Non Domestic Two Rate	4	0.778	0.237		1.19			
LDNO HVplus: Small Non Domestic Off Peak (related MPAN)	4	0.246						
LDNO HVplus: LV Medium Non-Domestic	5-8	0.785	0.234		5.54			
LDNO HVplus: LV Sub Medium Non-Domestic	5-8	1.030	0.345		31.97			
LDNO HVplus: HV Medium Non-Domestic	5-8	0.850	0.370		116.93			
LDNO HVplus: LV Network Domestic	-	3.599	0.681	0.245	1.19			
LDNO HVplus: LV Network Non-Domestic Non-CT	-	3.271	0.633	0.239	1.19			
LDNO HVplus: LV HH Metered	0	2.432	0.492	0.222	4.80	1.25	1.91	0.060
LDNO HVplus: LV Sub HH Metered	0	3.060	0.641	0.327	23.74	1.98	3.60	0.072
LDNO HVplus: HV HH Metered	0	2.620	0.592	0.363	61.10	1.95	3.95	0.057
LDNO HVplus: NHH UMS category A	8	1.188						
LDNO HVplus: NHH UMS category B	1	1.261						
LDNO HVplus: NHH UMS category C	1	1.663						
LDNO HVplus: NHH UMS category D	1	1.161						
LDNO HVplus: LV UMS (Pseudo HH Metered)	0	8.997	1.178	0.825				
LDNO HVplus: LV Generation NHH or Aggregate HH	8	-0.522			0.00			
LDNO HVplus: LV Sub Generation NHH	8	-0.491			0.00			
LDNO HVplus: LV Generation Intermittent	0	-0.522			0.00			0.081
LDNO HVplus: LV Generation Non-Intermittent	0	-3.651	-0.534	-0.068	0.00			0.081
LDNO HVplus: LV Sub Generation Intermittent	0	-0.491			0.00			0.080
LDNO HVplus: LV Sub Generation Non-Intermittent	0	-3.485	-0.488	-0.064	0.00			0.080
LDNO HVplus: HV Generation Intermittent	0	-0.535			6.21			0.095
LDNO HVplus: HV Generation Non-Intermittent	0	-3.927	-0.497	-0.067	6.21			0.095
LDNO EHV: Domestic Unrestricted	1	0.641			0.94			
LDNO EHV: Domestic Two Rate	2	0.737	0.199		0.94			
LDNO EHV: Domestic Off Peak (related MPAN)	2	0.211						

Tariff name	PCs	Unit charge 1 (NHH) or red/black charge (HH) p/kWh	Unit charge 2 (NHH) or amber/yellow charge (HH) p/kWh	Green charge(HH) p/kWh	Fixed charge p/MPAN/day	Capacity charge p/kVA/day	Exceeded capacity charge p/kVA/day	Reactive power charge p/kVArh
LDNO EHV: Small Non Domestic Unrestricted	3	0.596			0.94			
LDNO EHV: Small Non Domestic Two Rate	4	0.615	0.188		0.94			
LDNO EHV: Small Non Domestic Off Peak (related MPAN)	4	0.194						
LDNO EHV: LV Medium Non-Domestic	5-8	0.621	0.185		4.39			
LDNO EHV: LV Sub Medium Non-Domestic	5-8	0.815	0.273		25.30			
LDNO EHV: HV Medium Non-Domestic	5-8	0.672	0.293		92.53			
LDNO EHV: LV Network Domestic	-	2.848	0.539	0.194	0.94			
LDNO EHV: LV Network Non-Domestic Non-CT	-	2.588	0.501	0.189	0.94			
LDNO EHV: LV HH Metered	0	1.924	0.390	0.175	3.79	0.99	1.51	0.048
LDNO EHV: LV Sub HH Metered	0	2.421	0.507	0.259	18.78	1.57	2.85	0.057
LDNO EHV: HV HH Metered	0	2.073	0.469	0.287	48.35	1.54	3.13	0.045
LDNO EHV: NHH UMS category A	8	0.940						
LDNO EHV: NHH UMS category B	1	0.998						
LDNO EHV: NHH UMS category C	1	1.316						
LDNO EHV: NHH UMS category D	1	0.919						
LDNO EHV: LV UMS (Pseudo HH Metered)	0	7.119	0.932	0.653				
LDNO EHV: LV Generation NHH or Aggregate HH	8	-0.413			0.00			
LDNO EHV: LV Sub Generation NHH	8	-0.389			0.00			
LDNO EHV: LV Generation Intermittent	0	-0.413			0.00			0.064
LDNO EHV: LV Generation Non-Intermittent	0	-2.889	-0.423	-0.654	0.00			0.064
LDNO EHV: LV Sub Generation Intermittent	0	-0.389			0.00			0.063
LDNO EHV: LV Sub Generation Non-Intermittent	0	-2.758	-0.386	-0.650	0.00			0.063
LDNO EHV: HV Generation Intermittent	0	-0.423			4.91			0.075
LDNO EHV: HV Generation Non-Intermittent	0	-3.107	-0.393	-0.653	4.91			0.075
LDNO 132kV/EHV: Domestic Unrestricted	1	0.535			0.78			
LDNO 132kV/EHV: Domestic Two Rate	2	0.616	0.167		0.78			
LDNO 132kV/EHV: Domestic Off Peak (related MPAN)	2	0.176						
LDNO 132kV/EHV: Small Non Domestic Unrestricted	3	0.498			0.78			
LDNO 132kV/EHV: Small Non Domestic Two Rate	4	0.514	0.157		0.78			
LDNO 132kV/EHV: Small Non Domestic Off Peak (related MPAN)	4	0.162						
LDNO 132kV/EHV: LV Medium Non-Domestic	5-8	0.519	0.155		3.67			
LDNO 132kV/EHV: LV Sub Medium Non-Domestic	5-8	0.681	0.228		21.14			
LDNO 132kV/EHV: HV Medium Non-Domestic	5-8	0.562	0.244		77.30			
LDNO 132kV/EHV: LV Network Domestic	-	2.380	0.450	0.162	0.78			
LDNO 132kV/EHV: LV Network Non-Domestic Non-CT	-	2.162	0.418	0.158	0.78			
LDNO 132kV/EHV: LV HH Metered	0	1.608	0.326	0.147	3.17	0.83	1.26	0.040
LDNO 132kV/EHV: LV Sub HH Metered	0	2.023	0.424	0.216	15.69	1.31	2.38	0.048
LDNO 132kV/EHV: HV HH Metered	0	1.732	0.392	0.240	40.39	1.29	2.61	0.038
LDNO 132kV/EHV: NHH UMS category A	8	0.785						
LDNO 132kV/EHV: NHH	1	0.834						

Tariff name	PCs	Unit charge 1 (NHH) or red/black charge (HH) p/kWh	Unit charge 2 (NHH) or amber/yellow charge (HH) p/kWh	Green charge(HH) p/kWh	Fixed charge p/MPAN/day	Capacity charge p/kVA/day	Exceeded capacity charge p/kVA/day	Reactive power charge p/kVArh
UMS category B								
LDNO 132kV/EHV: NHH UMS category C	1	1.100						
LDNO 132kV/EHV: NHH UMS category D	1	0.768						
LDNO 132kV/EHV: LV UMS (Pseudo HH Metered)	0	5.948	0.779	0.545				
LDNO 132kV/EHV: LV Generation NHH or Aggregate HH	8	-0.345			0.00			
LDNO 132kV/EHV: LV Sub Generation NHH	8	-0.325			0.00			
LDNO 132kV/EHV: LV Generation Intermittent	0	-0.345			0.00			0.054
LDNO 132kV/EHV: LV Generation Non-Intermittent	0	-2.414	-0.353	-0.045	0.00			0.054
LDNO 132kV/EHV: LV Sub Generation Intermittent	0	-0.325			0.00			0.053
LDNO 132kV/EHV: LV Sub Generation Non-Intermittent	0	-2.304	-0.323	-0.042	0.00			0.053
LDNO 132kV/EHV: HV Generation Intermittent	0	-0.354			4.11			0.063
LDNO 132kV/EHV: HV Generation Non-Intermittent	0	-2.596	-0.329	-0.044	4.11			0.063
LDNO 132kV: Domestic Unrestricted	1	0.403			0.59			
LDNO 132kV: Domestic Two Rate	2	0.464	0.125		0.59			
LDNO 132kV: Domestic Off Peak (related MPAN)	2	0.133						
LDNO 132kV: Small Non Domestic Unrestricted	3	0.375			0.59			
LDNO 132kV: Small Non Domestic Two Rate	4	0.387	0.118		0.59			
LDNO 132kV: Small Non Domestic Off Peak (related MPAN)	4	0.122						
LDNO 132kV: LV Medium Non-Domestic	5-8	0.391	0.116		2.76			
LDNO 132kV: LV Sub Medium Non-Domestic	5-8	0.513	0.172		15.91			
LDNO 132kV: HV Medium Non-Domestic	5-8	0.423	0.184		58.21			
LDNO 132kV: LV Network Domestic	-	1.792	0.339	0.122	0.59			
LDNO 132kV: LV Network Non-Domestic Non-CT	-	1.628	0.315	0.119	0.59			
LDNO 132kV: LV HH Metered	0	1.210	0.245	0.110	2.39	0.62	0.95	0.030
LDNO 132kV: LV Sub HH Metered	0	1.523	0.319	0.163	11.81	0.99	1.79	0.036
LDNO 132kV: HV HH Metered	0	1.304	0.295	0.181	30.41	0.97	1.97	0.028
LDNO 132kV: NHH UMS category A	8	0.591						
LDNO 132kV: NHH UMS category B	1	0.628						
LDNO 132kV: NHH UMS category C	1	0.828						
LDNO 132kV: NHH UMS category D	1	0.578						
LDNO 132kV: LV UMS (Pseudo HH Metered)	0	4.478	0.587	0.410				
LDNO 132kV: LV Generation NHH or Aggregate HH	8	-0.260			0.00			
LDNO 132kV: LV Sub Generation NHH	8	-0.244			0.00			
LDNO 132kV: LV Generation Intermittent	0	-0.260			0.00			0.040
LDNO 132kV: LV Generation Non-Intermittent	0	-1.817	-0.266	-0.034	0.00			0.040
LDNO 132kV: LV Sub Generation Intermittent	0	-0.244			0.00			0.040
LDNO 132kV: LV Sub Generation Non-Intermittent	0	-1.735	-0.243	-0.032	0.00			0.040
LDNO 132kV: HV Generation Intermittent	0	-0.266			3.09			0.047
LDNO 132kV: HV Generation Non-Intermittent	0	-1.955	-0.247	-0.033	3.09			0.047

Tariff name	PCs	Unit charge 1 (NHH) or red/black charge (HH) p/kWh	Unit charge 2 (NHH) or amber/yellow charge (HH) p/kWh	Green charge(HH) p/kWh	Fixed charge p/MPAN/day	Capacity charge p/kVA/day	Exceeded capacity charge p/kVA/day	Reactive power charge p/kVAh
LDNO 0000: Domestic Unrestricted	1	0.143			0.21			
LDNO 0000: Domestic Two Rate	2	0.165	0.045		0.21			
LDNO 0000: Domestic Off Peak (related MPAN)	2	0.047						
LDNO 0000: Small Non Domestic Unrestricted	3	0.133			0.21			
LDNO 0000: Small Non Domestic Two Rate	4	0.138	0.042		0.21			
LDNO 0000: Small Non Domestic Off Peak (related MPAN)	4	0.043						
LDNO 0000: LV Medium Non-Domestic	5-8	0.139	0.041		0.98			
LDNO 0000: LV Sub Medium Non-Domestic	5-8	0.182	0.061		5.66			
LDNO 0000: HV Medium Non-Domestic	5-8	0.150	0.065		20.70			
LDNO 0000: LV Network Domestic	-	0.637	0.121	0.043	0.21			
LDNO 0000: LV Network Non-Domestic Non-CT	-	0.579	0.112	0.042	0.21			
LDNO 0000: LV HH Metered	0	0.431	0.087	0.039	0.85	0.22	0.34	0.011
LDNO 0000: LV Sub HH Metered	0	0.542	0.114	0.058	4.20	0.35	0.64	0.013
LDNO 0000: HV HH Metered	0	0.464	0.105	0.064	10.82	0.34	0.70	0.010
LDNO 0000: NHH UMS category A	8	0.210						
LDNO 0000: NHH UMS category B	1	0.223						
LDNO 0000: NHH UMS category C	1	0.294						
LDNO 0000: NHH UMS category D	1	0.206						
LDNO 0000: LV UMS (Pseudo HH Metered)	0	1.593	0.209	0.146				
LDNO 0000: LV Generation NHH or Aggregate HH	8	-0.092			0.00			
LDNO 0000: LV Sub Generation NHH	8	-0.087			0.00			
LDNO 0000: LV Generation Intermittent	0	-0.092			0.00			0.014
LDNO 0000: LV Generation Non-Intermittent	0	-0.646	-0.095	-0.012	0.00			0.014
LDNO 0000: LV Sub Generation Intermittent	0	-0.087			0.00			0.014
LDNO 0000: LV Sub Generation Non-Intermittent	0	-0.617	-0.086	-0.011	0.00			0.014
LDNO 0000: HV Generation Intermittent	0	-0.095			1.10			0.017
LDNO 0000: HV Generation Non-Intermittent	0	-0.695	-0.088	-0.012	1.10			0.017

Annex 5 - Schedule of line loss factors (updated FINAL LLFs - Effective from April 2018)

Electricity North West Limited - FINAL LLFs for year beginning 1 April 2018				
Time periods	Period 1	Period 2	Period 3	Period 4
	Winter Peak	Winter Daytime	Night	Other
Monday to Friday March to October			00:00 - 07:00	07:00 - 00:00
Monday to Friday November to February	16:00 – 19:00	07:00 – 16:00 19:00 – 00:00	00:00 - 07:00	
Saturday and Sunday All Year			00:00 - 07:00	07:00 - 00:00
Notes	All the above times are in UK Clock time			

Generic demand and generation LLFs					
Metered voltage, respective periods and associated LLFCs					
Metered voltage	Period 1	Period 2	Period 3	Period 4	Associated LLFC
Low-voltage network	1.108	1.096	1.084	1.091	11, 31, 41, 51, 61, 81, 91, 131, 161, 171, 191, 241, 431, 441, 451, 481, 511, 531, 581, 591, 631, 661, 751, 761, 771, 781, 791, 801, 811, 821, 831, 961, 971, 981, 851, 861, 841
Low-voltage substation	1.053	1.050	1.046	1.049	242, 432, 482, 752, 802, 962, 972, 982, 842
High-voltage network	1.039	1.036	1.030	1.034	483, 753, 803, 973, 983, 843
High-voltage substation	1.027	1.025	1.022	1.024	109, 119, 129, 139, 149, 159, 169, 179, 189, 199, 209, 219, 229, 239, 249, 259, 269, 289, 299, 309, 319, 329, 339, 349, 359, 369, 379, 389, 419, 439, 459, 469, 479, 489, 499, 509, 519, 529, 539, 549, 579, 589
33kV generic	1.021	1.020	1.017	1.019	
132kV to 33kV generic	1.015	1.014	1.012	1.013	
132kV generic	1.010	1.009	1.007	1.008	

EHV site specific LLFs					
Demand					
Site	Period 1	Period 2	Period 3	Period 4	Associated LLFC
Tariff 1	1.028	1.028	1.028	1.028	610
Tariff 2	1.002	1.002	1.002	1.002	500
Tariff 3	1.008	1.008	1.008	1.008	650
Tariff 4	1.056	1.056	1.056	1.056	660
Tariff 5	1.027	1.027	1.027	1.027	640
Tariff 6	1.173	1.173	1.173	1.173	700
Tariff 7	1.033	1.033	1.033	1.033	900
Tariff 8	1.009	1.009	1.009	1.009	670
Tariff 9	1.005	1.005	1.005	1.005	320
Tariff 10	1.019	1.019	1.019	1.019	850
Tariff 11	1.015	1.015	1.015	1.015	450
Tariff 12	1.000	1.000	1.000	1.000	460
Tariff 13	0.999	0.999	0.999	0.999	680
Tariff 14	1.009	1.009	1.009	1.009	520
Tariff 15	1.026	1.026	1.026	1.026	510
Tariff 16	1.012	1.012	1.012	1.012	530
Tariff 17	1.018	1.018	1.018	1.018	540
Tariff 18	1.075	1.075	1.075	1.075	550
Tariff 19	1.007	1.007	1.007	1.007	810
Tariff 20	1.013	1.013	1.013	1.013	830
Tariff 21	1.000	1.000	1.000	1.000	960
Tariff 22	1.000	1.000	1.000	1.000	370
Tariff 23	1.000	1.000	1.000	1.000	410
Tariff 24	1.000	1.000	1.000	1.000	430
Tariff 25	1.000	1.000	1.000	1.000	340
Tariff 26	1.000	1.000	1.000	1.000	480
Tariff 27	1.000	1.000	1.000	1.000	600
Tariff 28	1.000	1.000	1.000	1.000	980
Tariff 29	1.000	1.000	1.000	1.000	280
Tariff 30	1.000	1.000	1.000	1.000	260
Tariff 31	1.005	1.005	1.005	1.005	180
Tariff 32	1.000	1.000	1.000	1.000	200
Tariff 33	1.000	1.000	1.000	1.000	140
Tariff 34	1.000	1.000	1.000	1.000	160
Tariff 35	1.008	1.008	1.008	1.008	950
Tariff 36	1.010	1.010	1.010	1.010	910
Tariff 37	1.000	1.000	1.000	1.000	920
Tariff 39	1.027	1.025	1.022	1.024	109
Tariff 40	1.027	1.025	1.022	1.024	119
Tariff 41	1.027	1.025	1.022	1.024	129
Tariff 42	1.027	1.025	1.022	1.024	139
Tariff 43	1.027	1.025	1.022	1.024	149
Tariff 44	1.027	1.025	1.022	1.024	419
Tariff 45	1.027	1.025	1.022	1.024	169

EHV site specific LLFs					
Demand					
Site	Period 1	Period 2	Period 3	Period 4	Associated LLFC
Tariff 46	1.027	1.025	1.022	1.024	179
Tariff 47	1.027	1.025	1.022	1.024	189
Tariff 48	1.027	1.025	1.022	1.024	199
Tariff 49	1.027	1.025	1.022	1.024	209
Tariff 50	1.027	1.025	1.022	1.024	219
Tariff 51	1.027	1.025	1.022	1.024	229
Tariff 52	1.027	1.025	1.022	1.024	239
Tariff 53	1.027	1.025	1.022	1.024	249
Tariff 54	1.027	1.025	1.022	1.024	259
Tariff 55	1.027	1.025	1.022	1.024	369
Tariff 56	1.027	1.025	1.022	1.024	289
Tariff 57	1.027	1.025	1.022	1.024	299
Tariff 58	1.027	1.025	1.022	1.024	309
Tariff 59	1.027	1.025	1.022	1.024	319
Tariff 60	1.027	1.025	1.022	1.024	329
Tariff 61	1.027	1.025	1.022	1.024	339
Tariff 62	1.027	1.025	1.022	1.024	349
Tariff 63	1.027	1.025	1.022	1.024	359
Tariff 64	1.027	1.025	1.022	1.024	269
Tariff 65	1.027	1.025	1.022	1.024	529
Tariff 66	1.027	1.025	1.022	1.024	389
Tariff 67	1.027	1.025	1.022	1.024	439
Tariff 68	1.027	1.025	1.022	1.024	159
Tariff 69	1.000	1.000	1.000	1.000	110
Tariff 70	1.000	1.000	1.000	1.000	220
Tariff 71	1.000	1.000	1.000	1.000	80
Tariff 72	1.000	1.000	1.000	1.000	40
Tariff 73	1.000	1.000	1.000	1.000	60
Tariff 74	1.000	1.000	1.000	1.000	68
Tariff 75	1.000	1.000	1.000	1.000	20
Tariff 76	1.000	1.000	1.000	1.000	10
Tariff 77	1.000	1.000	1.000	1.000	88
Tariff 78	1.000	1.000	1.000	1.000	237
Tariff 79	1.000	1.000	1.000	1.000	257
Tariff 80	1.000	1.000	1.000	1.000	277
Tariff 81	1.000	1.000	1.000	1.000	297
Tariff 82	1.000	1.000	1.000	1.000	187
Tariff 83	1.000	1.000	1.000	1.000	207
Tariff 84	1.000	1.000	1.000	1.000	MSID 7016
Tariff 85	0.995	0.995	0.995	0.995	MSID 7039, 7040
Tariff 86	0.999	0.999	0.999	0.999	MSID 7107
Tariff 87	1.000	1.000	1.000	1.000	MSID 7252
Tariff 88	1.000	1.000	1.000	1.000	MSID 7249
Tariff 89	1.000	1.000	1.000	1.000	MSID 7241, 7242

EHV site specific LLFs					
Demand					
Site	Period 1	Period 2	Period 3	Period 4	Associated LLFC
Tariff 90	1.000	1.000	1.000	1.000	MSID 7244
Tariff 91	1.011	1.011	1.011	1.011	MSID 2037, 2038
Tariff 92	1.000	1.000	1.000	1.000	MSID 7156
Tariff 93	1.008	1.008	1.008	1.008	MSID 0437
Tariff 96	1.000	1.000	1.000	1.000	307
Tariff 97	1.000	1.000	1.000	1.000	327
Tariff 98	1.000	1.000	1.000	1.000	347
Tariff 99	1.004	1.004	1.004	1.004	367
Tariff 100	1.004	1.004	1.004	1.004	387
Tariff 101	1.011	1.011	1.011	1.011	437
Tariff 102	1.002	1.002	1.002	1.002	457
Tariff 103	1.000	1.000	1.000	1.000	417
Tariff 104	1.000	1.000	1.000	1.000	467
Tariff 105	1.000	1.000	1.000	1.000	108
Tariff 106	1.027	1.025	1.022	1.024	539
Tariff 107	1.027	1.025	1.022	1.024	549
Tariff 111	1.027	1.025	1.022	1.024	579
Tariff 112	1.004	1.004	1.004	1.004	487
Tariff 113	1.000	1.000	1.000	1.000	517

EHV site specific LLFs					
Generation					
Site	Period 1	Period 2	Period 3	Period 4	Associated LLFC
Export Tariff 8	1.000	1.000	1.000	1.000	217
Export Tariff 12	1.000	1.000	1.000	1.000	470
Export Tariff 13	0.990	0.990	0.990	0.990	690
Export Tariff 14	1.000	1.000	1.000	1.000	730
Export Tariff 15	1.000	1.000	1.000	1.000	720
Export Tariff 16	0.999	0.999	0.999	0.999	770
Export Tariff 17	1.001	1.001	1.001	1.001	740
Export Tariff 18	1.001	1.001	1.001	1.001	750
Export Tariff 19	1.001	1.001	1.001	1.001	820
Export Tariff 20	0.999	0.999	0.999	0.999	840
Export Tariff 21	0.994	0.994	0.994	0.994	970
Export Tariff 22	0.993	0.993	0.993	0.993	360
Export Tariff 23	0.995	0.995	0.995	0.995	420
Export Tariff 24	0.992	0.992	0.992	0.992	440
Export Tariff 25	0.978	0.978	0.978	0.978	350
Export Tariff 26	0.990	0.990	0.990	0.990	490
Export Tariff 27	0.999	0.999	0.999	0.999	590
Export Tariff 28	0.996	0.996	0.996	0.996	990
Export Tariff 29	0.988	0.988	0.988	0.988	290
Export Tariff 30	0.994	0.994	0.994	0.994	270
Export Tariff 31	0.998	0.998	0.998	0.998	190
Export Tariff 32	1.000	1.000	1.000	1.000	210
Export Tariff 33	0.990	0.990	0.990	0.990	150
Export Tariff 34	1.005	1.005	1.005	1.005	170
Export Tariff 66	1.027	1.025	1.022	1.024	499
Export Tariff 67	1.027	1.025	1.022	1.024	479
Export Tariff 68	1.027	1.025	1.022	1.024	489
Export Tariff 69	1.001	1.001	1.001	1.001	120
Export Tariff 70	1.012	1.012	1.012	1.012	230
Export Tariff 71	0.982	0.982	0.982	0.982	90
Export Tariff 72	1.011	1.011	1.011	1.011	50
Export Tariff 73	0.996	0.996	0.996	0.996	70
Export Tariff 74	0.996	0.996	0.996	0.996	78
Export Tariff 75	0.992	0.992	0.992	0.992	30
Export Tariff 76	1.000	1.000	1.000	1.000	100
Export Tariff 77	0.983	0.983	0.983	0.983	98
Export Tariff 78	0.995	0.995	0.995	0.995	227
Export Tariff 79	0.999	0.999	0.999	0.999	247
Export Tariff 80	0.981	0.981	0.981	0.981	267
Export Tariff 81	0.994	0.994	0.994	0.994	287
Export Tariff 82	0.993	0.993	0.993	0.993	177
Export Tariff 83	0.991	0.991	0.991	0.991	197
Export Tariff 84	1.000	1.000	1.000	1.000	MSID 7016
Export Tariff 85	0.995	0.995	0.995	0.995	MSID 7039, 7040

EHV site specific LLFs					
Generation					
Site	Period 1	Period 2	Period 3	Period 4	Associated LLFC
Export Tariff 86	0.999	0.999	0.999	0.999	MSID 7107
Export Tariff 87	1.000	1.000	1.000	1.000	MSID 7252
Export Tariff 88	1.000	1.000	1.000	1.000	MSID 7249
Export Tariff 89	1.000	1.000	1.000	1.000	MSID 7241, 7242
Export Tariff 90	1.000	1.000	1.000	1.000	MSID 7244
Export Tariff 96	0.998	0.998	0.998	0.998	317
Export Tariff 97	0.998	0.998	0.998	0.998	337
Export Tariff 98	1.000	1.000	1.000	1.000	357
Export Tariff 99	0.997	0.997	0.997	0.997	377
Export Tariff 100	0.997	0.997	0.997	0.997	397
Export Tariff 101	0.986	0.986	0.986	0.986	427
Export Tariff 103	0.994	0.994	0.994	0.994	407
Export Tariff 104	0.996	0.996	0.996	0.996	477
Export Tariff 105	0.997	0.997	0.997	0.997	118
Export Tariff 111	1.027	1.025	1.022	1.024	589
Export Tariff 112	0.993	0.993	0.993	0.993	497
Export Tariff 113	0.993	0.993	0.993	0.993	527

Annex 6 - Addendum to charging statement detailing charges for new Designated EHV Properties

Electricity North West Limited - Effective from 1 April 2018 - Final new designated EHV charges														
Import Unique Identifier	LLFC	Import MPANs/MSIDs	Export Unique Identifier	LLFC	Export MPANs/MSIDs	Name	Import Super Red unit charge (p/kWh)	Import fixed charge (p/day)	Import capacity charge (p/kVA/day)	Import exceeded capacity charge (p/kVA/day)	Export Super Red unit charge (p/kWh)	Export fixed charge (p/day)	Export capacity charge (p/kVA/day)	Export exceeded capacity charge (p/kVA/day)
EDCM import 91		MSID 2037, 2038				Tariff 91	3.656		8.58	8.58				
EDCM import 92		MSID 7156				Tariff 92	0.724		2.02	2.02				
EDCM import 93		MSID 0437				Tariff 93	0.028		9.67	9.67				
EDCM import 111	579	1640000603060 1640000603079	EDCM export 111	589	1640000603088 1640000603097	Tariff 111	0.589	3,700.32	2.25	2.25		2,912.51	0.05	0.05
EDCM import 112	487	tbc	EDCM export 112	497	tbc	Tariff 112	0.015	452.03	1.75	1.75	(0.046)	452.03	0.05	0.05
EDCM import 113	517	tbc	EDCM export 113	527	tbc	Tariff 113		10.17	1.90	1.90		417.05	0.05	0.05
EDCM import 2	500	1620000772484	EDCM export 2	507	tbc	Tariff 2 (update due to additional generation)	0.152	797.22	5.90	5.90	(1.080)	337.28	0.05	0.05

Electricity North West Limited - Effective from 1 April 2018 - Final new designated EHV line loss factors																
Import Unique Identifier	LLFC	Import MPANs/MSIDs	Export Unique Identifier	LLFC	Export MPANs/MSIDs	Name	Import LLF period 1	Import LLF period 2	Import LLF period 3	Import LLF period 4	Import LLF period 5	Export LLF period 1	Export LLF period 2	Export LLF period 3	Export LLF period 4	Export LLF period 5
EDCM import 111	579	1640000603060 1640000603079	EDCM export 111	589	1640000603088 1640000603097	Tariff 111	1.027	1.025	1.022	1.024		1.027	1.025	1.022	1.024	
EDCM import 112	487	tbc	EDCM export 112	497	tbc	Tariff 112	1.004	1.004	1.004	1.004		0.993	0.993	0.993	0.993	
EDCM import 113	517	tbc	EDCM export 113	527	tbc	Tariff 113	1.000	1.000	1.000	1.000		0.993	0.993	0.993	0.993	
EDCM import 2	500	1620000772484	EDCM export 2	507	tbc	Tariff 2 (update due to additional generation)	1.002	1.002	1.002	1.002		1.000	1.000	1.000	1.000	